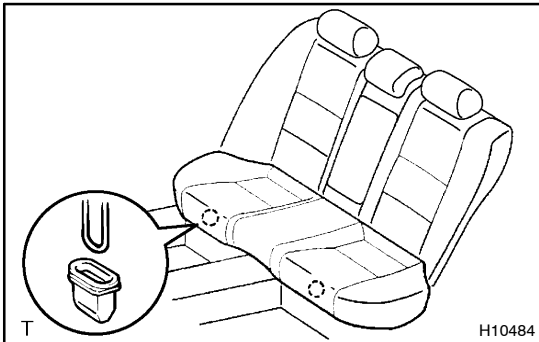


## INSTALLATION

### 1. INSTALL SEATBACK ASSEMBLY

- (a) Install the seatback assembly with the 4 bolts.  
**Torque: 7.8 N·m (80 kgf·cm, 69 in·lbf)**
- (b) Install the rear seat belts to the belt guides, then close the belt guides.



### 2. INSTALL SEAT CUSHION ASSEMBLY

Push down the front portion of the seat cushion assembly to install it.