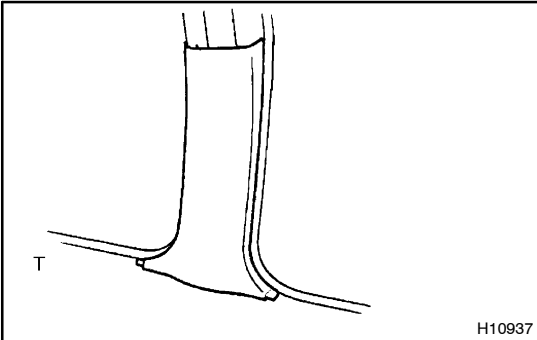


INSPECTION

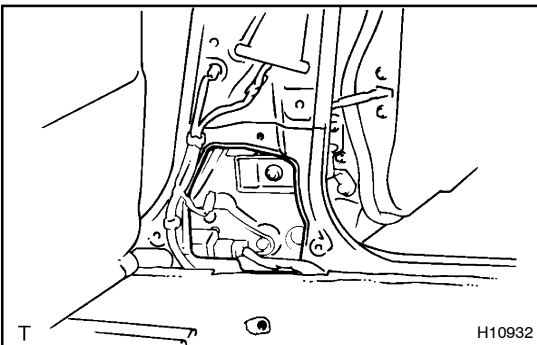
1. PRETENSIONER IS NOT ACTIVATED

- (a) Perform a diagnostic system check.
(See page DI-287)

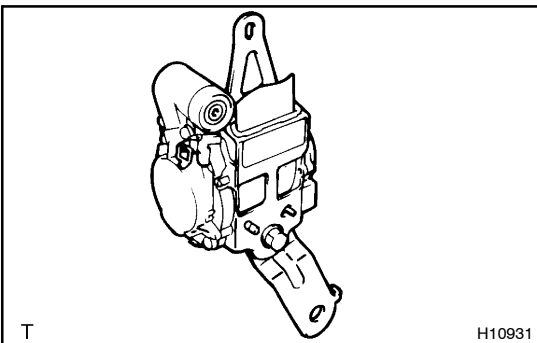


- (b) Perform a visual check which includes the following items with the front seat outer belt removed from the vehicle.

- Check for cuts and cracks in, or marked discoloration on the center pillar lower garnish.
- Check for cuts and cracks in wire harness, and for chipping in connectors.



- Check for deformation of the center pillar.



- Check for cuts and minute cracks in wire harness or marked discoloration on the front seat outer belt.

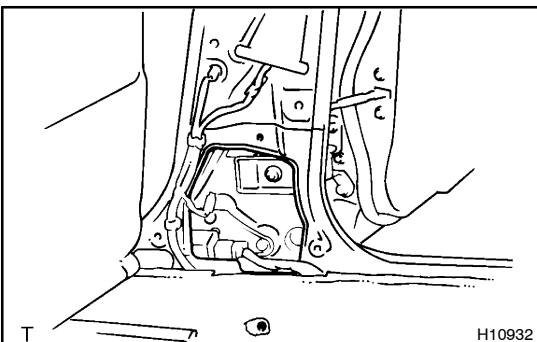
CAUTION:

For removal and installation of the front seat outer belt, see page BO-150 and BO-159.

Be sure to follow the correct procedure.

2. PRETENSIONER IS ACTIVATED

- (a) Perform a diagnostic system check.
(See page DI-287)



- (b) Perform a visual check which includes the following items with the front seat outer belt removed from the vehicle.

- Check for deformation of the center pillar.
- Check for damage on the connector and wire harness.