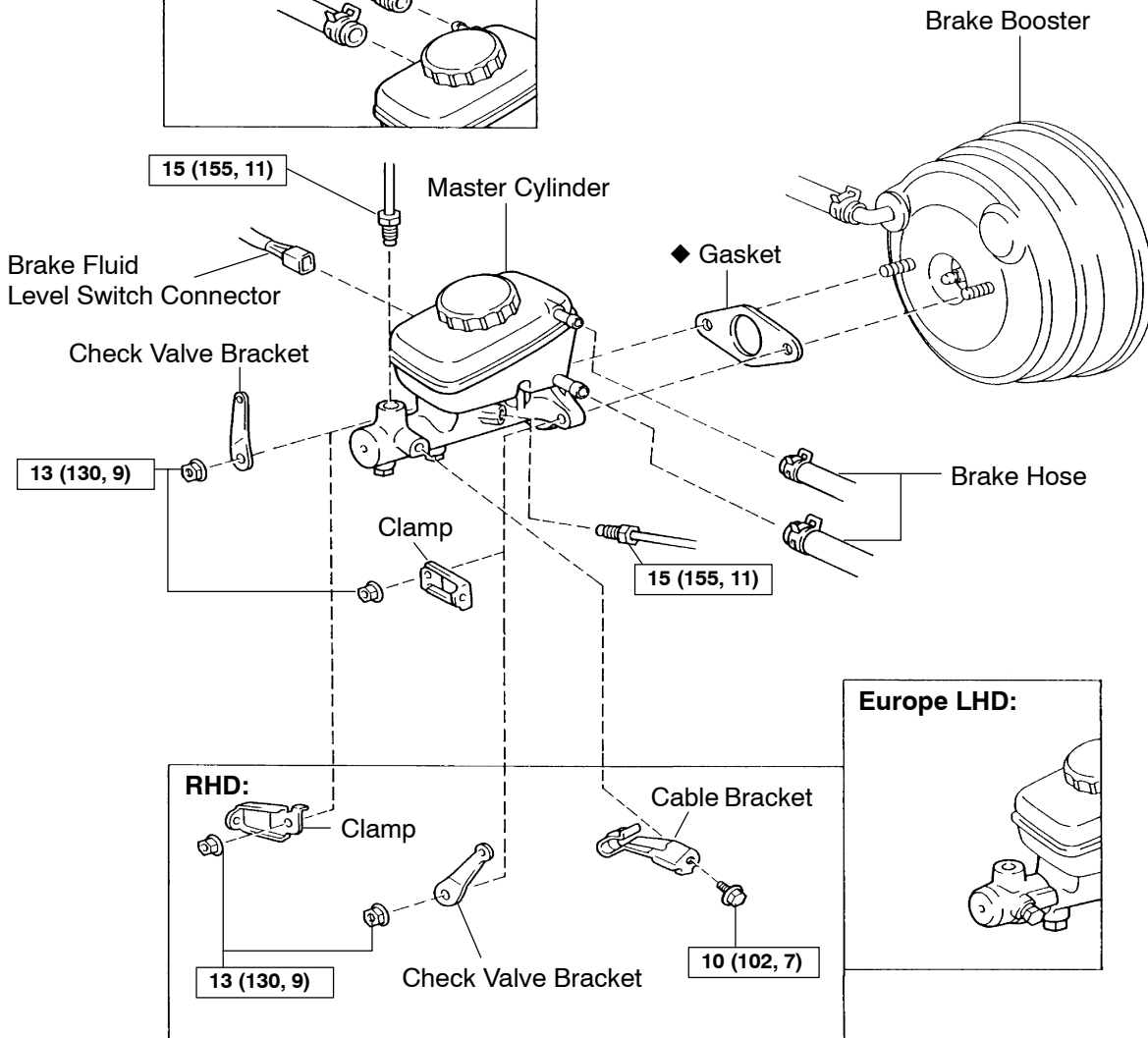
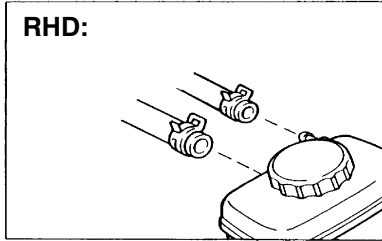


BRAKE MASTER CYLINDER COMPONENTS

BR02W-01

LHD:



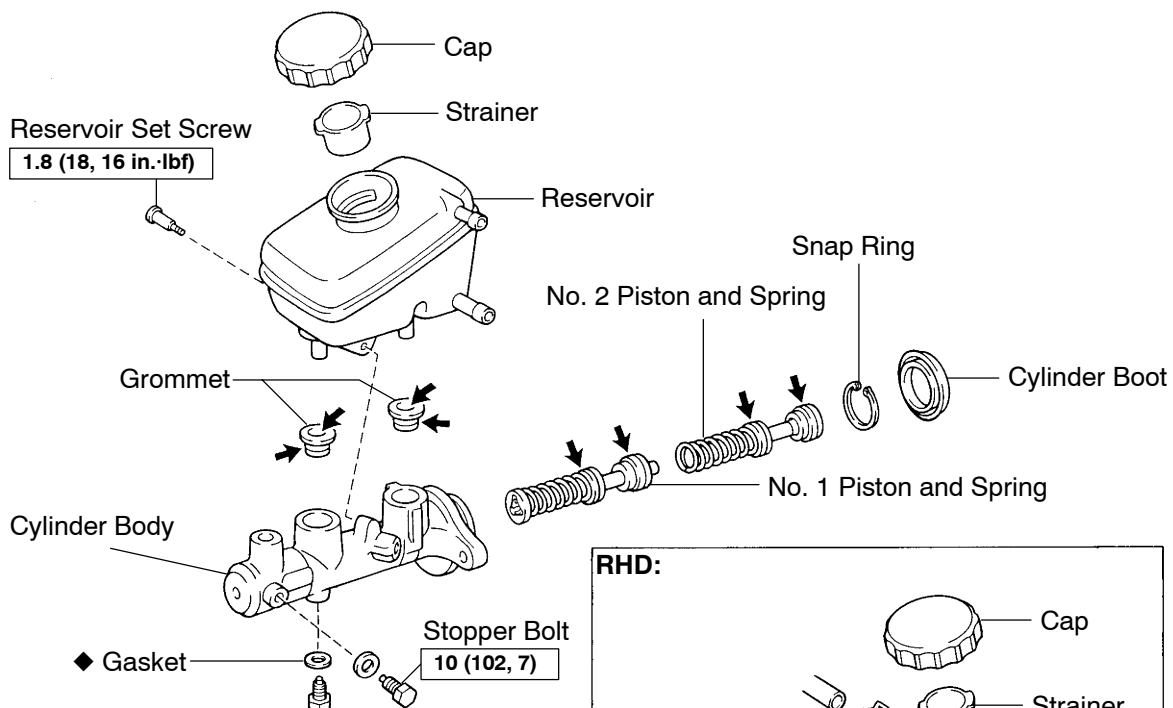
N·m (kgf·cm, ft·lbf) : Specified torque

◆ Non-reusable part

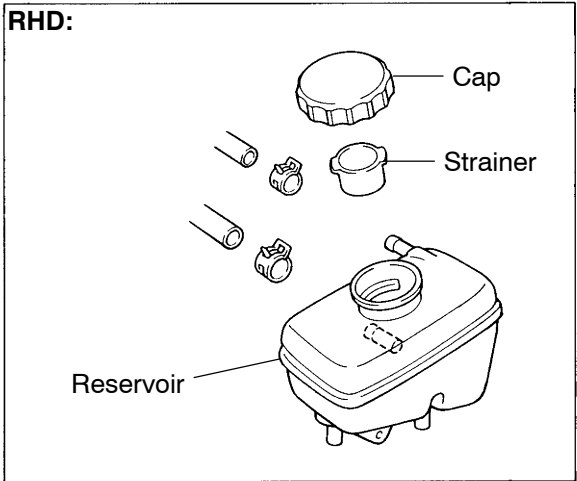
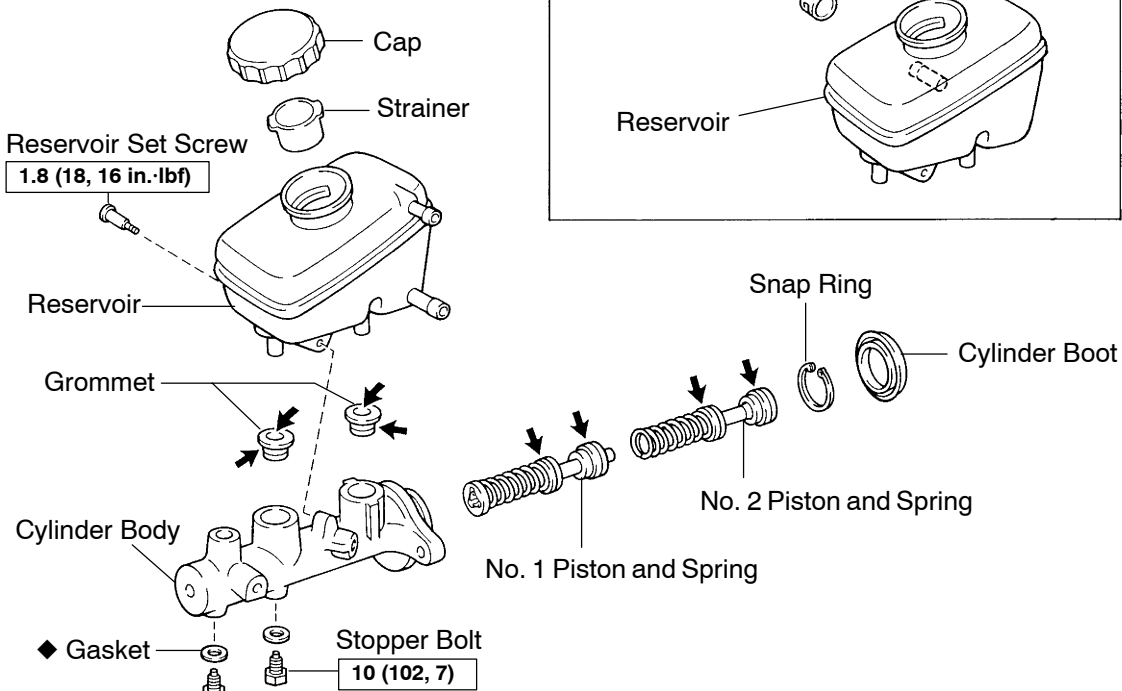
N

F07570

Europe LHD:



Except Europe LHD:



N·m (kgf·cm, ft·lbf) : Specified torque

◆ Non-reusable part

◀ Lithium soap base glycol grease