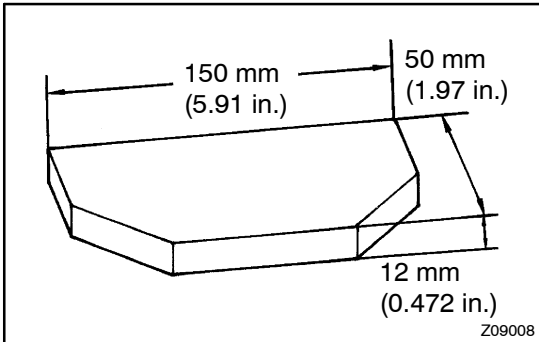


DISASSEMBLY

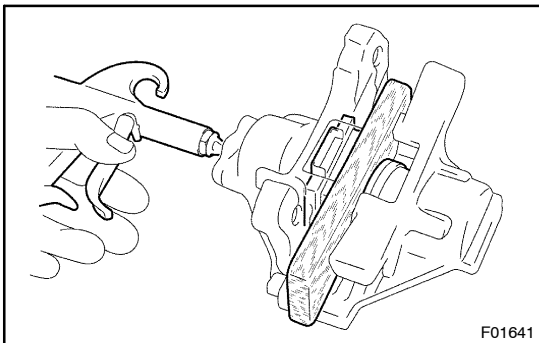
1. REMOVE SET RINGS AND BOOTS

Using a screwdriver, remove the 2 set rings and 2 boots.



2. REMOVE PISTONS FROM CYLINDER

(a) Prepare a wooden plate to hold the pistons.

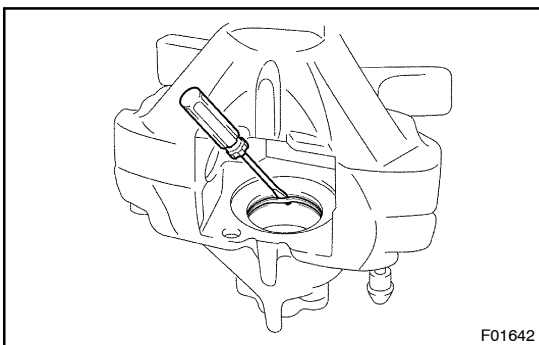


(b) Place the plate between the pistons and insert a pad on one side.

(c) Use compressed air to remove the pistons alternately from the caliper.

CAUTION:

Do not place your fingers in front of the piston when using compressed air.



3. REMOVE PISTON SEALS

Using a screwdriver, remove the 2 piston seals from the caliper.