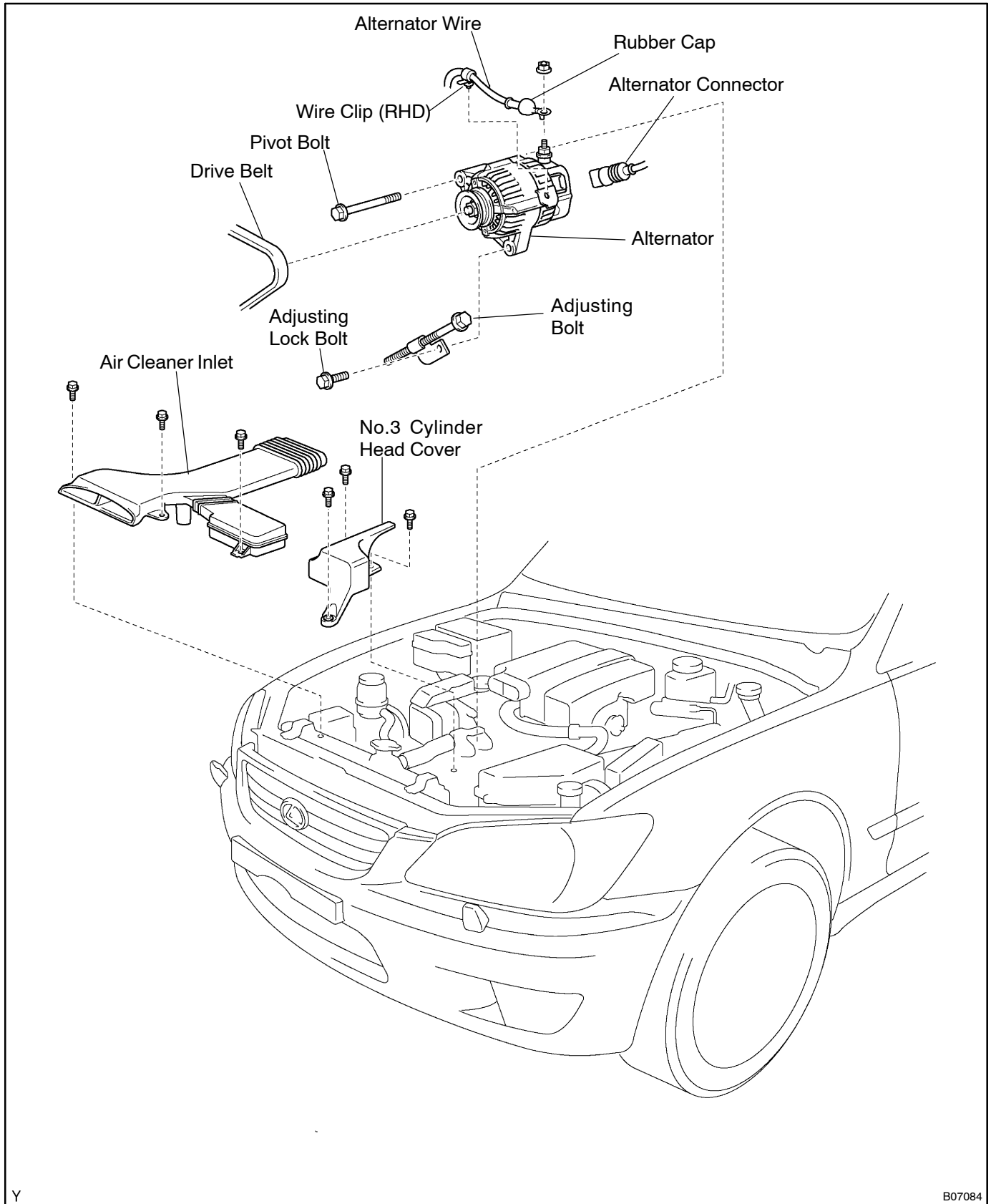


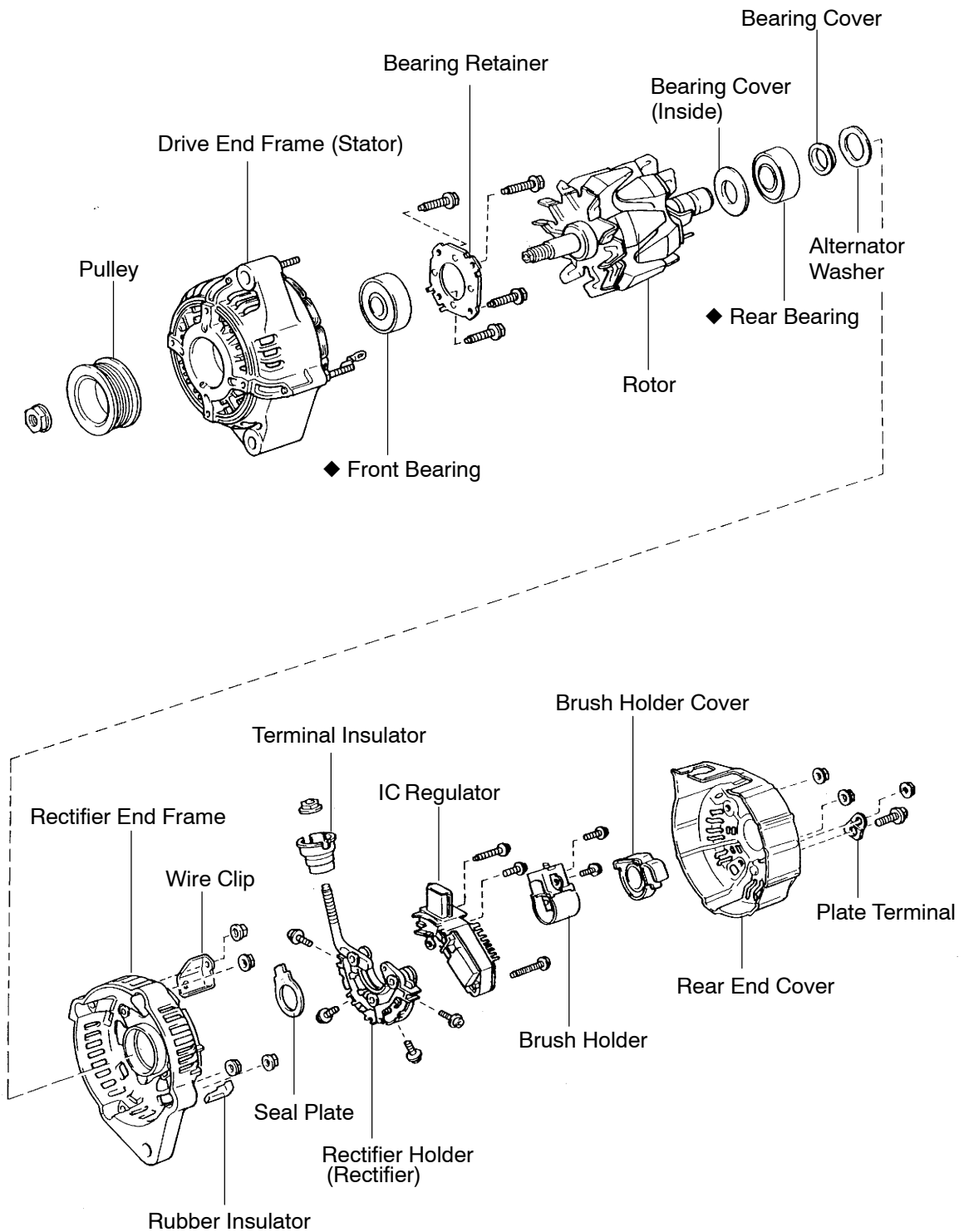
ALTERNATOR COMPONENTS

CH044-03



Y

B07084



◆ Non-reusable part

B01642