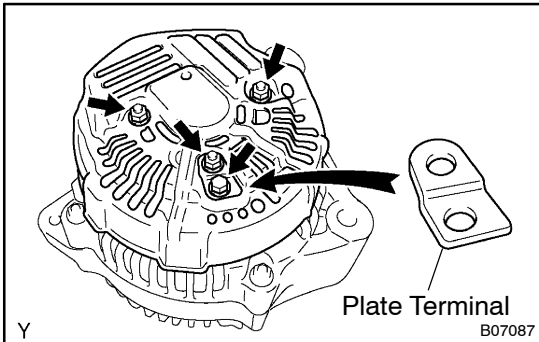


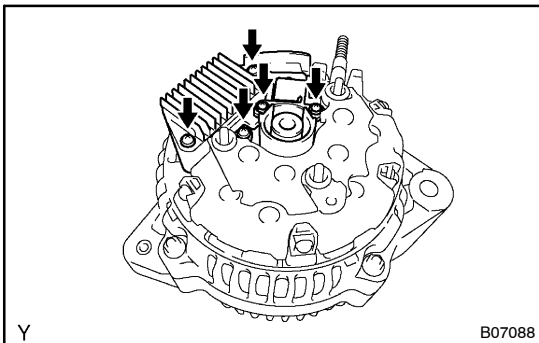
DISASSEMBLY

1. REMOVE REAR END COVER

- (a) Remove the nut and terminal insulator.

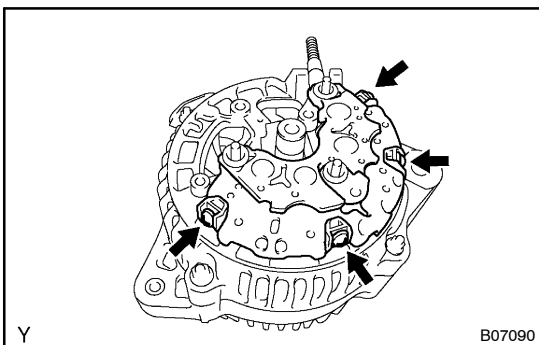


- (b) Remove the bolt, 3 nuts, plate terminal and end cover.



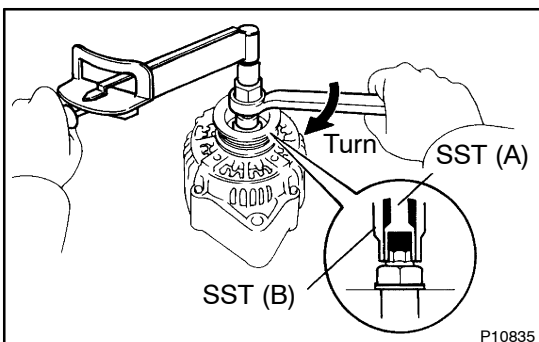
2. REMOVE BRUSH HOLDER AND IC REGULATOR

- (a) Remove the brush holder cover from the brush holder.
- (b) Remove the 5 screws, brush holder and IC regulator.
- (c) Remove the seal plate from the rectifier end frame.



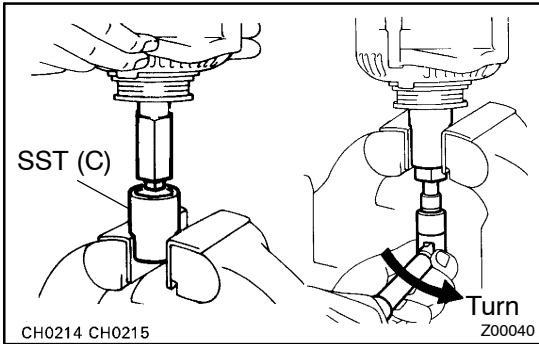
3. REMOVE RECTIFIER HOLDER

- (a) Remove the 4 screws and rectifier holder.
- (b) Remove the 4 rubber insulators.



4. REMOVE PULLEY

- (a) Hold SST (A) with a torque wrench, and tighten SST (B) clockwise to the specified torque.
SST 09820-06010, 09820-06020
Torque: 39 N·m (400 kgf·cm, 29 ft·lbf)
- (b) Check that SST (A) is secured to the rotor shaft.

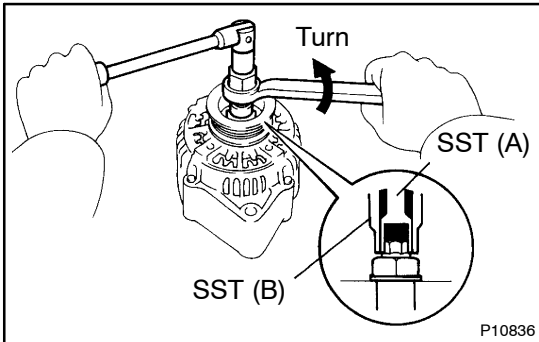


- (c) Mount SST (C) in a vise.
- (d) Insert SST (B) into SST (C), and attach the pulley nut to SST (C).
- (e) To loosen the pulley nut, turn SST (A) in the direction shown in the illustration.

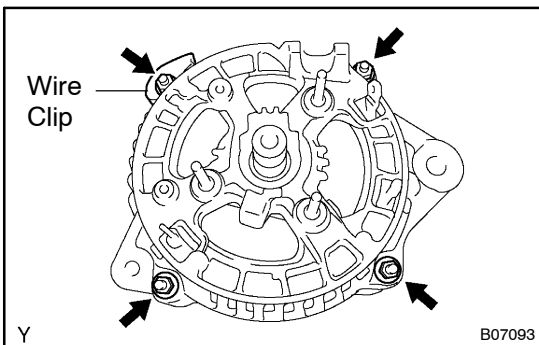
NOTICE:

To prevent damage to the rotor shaft, do not loosen the pulley nut more than one-half of a turn.

- (f) Remove the alternator from SST (C).

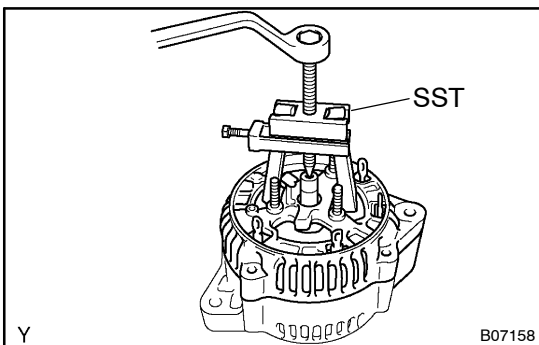


- (g) Turn SST (B), and remove SST (A and B).
- (h) Remove the pulley nut and pulley.



5. REMOVE RECTIFIER END FRAME

- (a) Remove the 4 nuts and wire clip.



- (b) Using SST, remove the rectifier end frame.
SST 09286-46011
- (c) Remove the alternator washer.

6. REMOVE ROTOR FROM DRIVE END FRAME