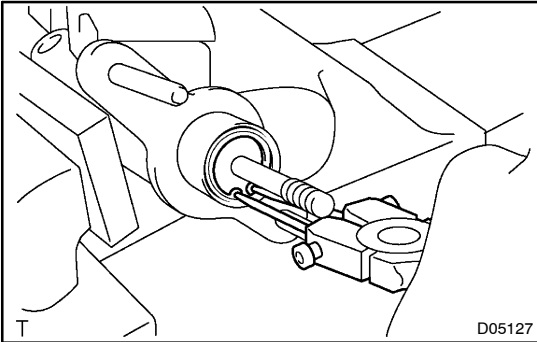


## DISASSEMBLY

### 1. REMOVE RESERVOIR TANK

- (a) Using a pin punch and hammer, drive out the slotted spring pin.
- (b) Remove the reservoir tank and grommet.



### 2. REMOVE PUSH ROD

- (a) Pull back the boot, and using snap ring pliers, remove the snap ring.
- (b) Pull out the push rod.

### 3. REMOVE PISTON