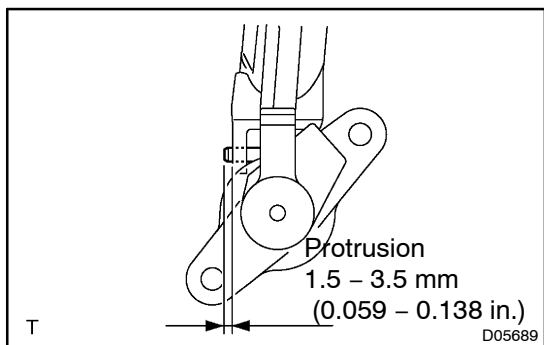


## REASSEMBLY

1. COAT PARTS WITH LITHIUM SOAP BASE GLYCOL GREASE, AS SHOWN
2. INSERT PISTON INTO CYLINDER
3. INSTALL PUSH ROD ASSEMBLY WITH NEW SNAP RING



4. INSTALL RESERVOIR TANK
  - (a) Install the reservoir tank and a new grommet.
  - (b) Using a pin punch and hammer, drive in the slotted spring pin.