

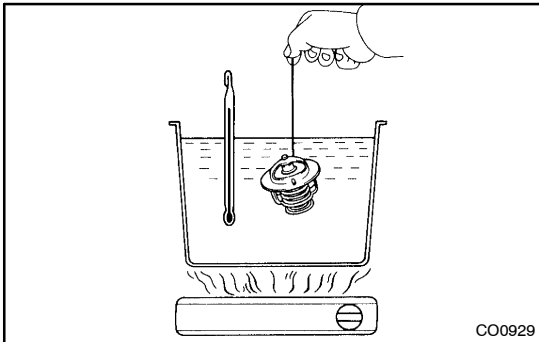
INSPECTION

INSPECT THERMOSTAT

HINT:

The thermostat is numbered with the valve opening temperature.

CO09E-04

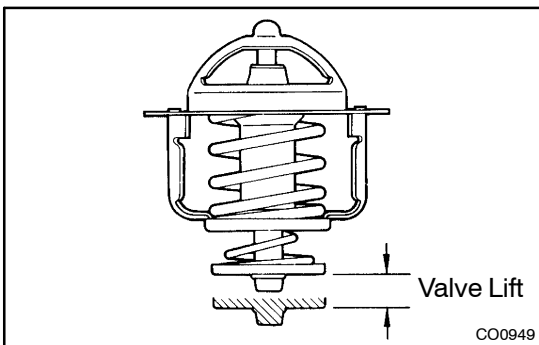


(a) Immerse the thermostat in water and gradually heat the water.

(b) Check the valve opening temperature.

Valve opening temperature: 80 – 84 °C (176 – 183 °F)

If the valve opening temperature is not as specified, replace the thermostat.



(c) Check the valve lift.

Valve lift: 8 mm (0.31 in.) or more at 95 °C (203 °F)

If the valve lift is not as specified, replace the thermostat.

(d) Check that the valve is fully closed when the thermostat is at low temperature (below 40 °C (104 °F)).

If not closed, replace the thermostat.