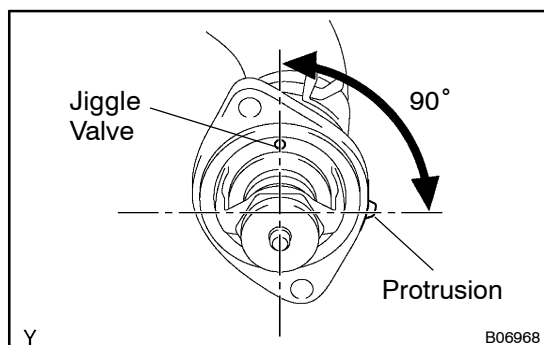


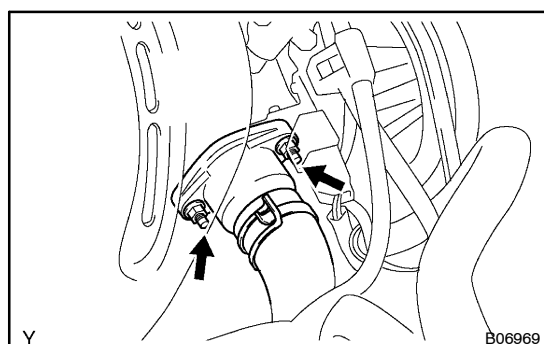
INSTALLATION

1. PLACE THERMOSTAT IN WATER INLET

- (a) Install a new gasket to the thermostat.



- (b) Align the jiggle valve of the thermostat with as shown in the illustration, and insert the thermostat in the water inlet.



2. INSTALL WATER INLET AND THERMOSTAT

Install the water inlet and thermostat with the 2 nuts.

Torque: 9.0 N·m (90 kgf·cm, 78 in.·lbf)

3. FILL WITH ENGINE COOLANT

4. START ENGINE AND CHECK FOR COOLANT LEAK