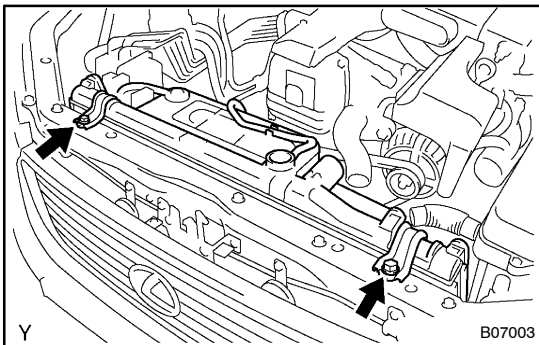
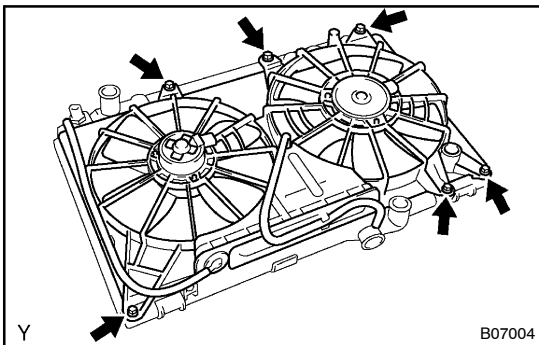


REMOVAL

1. REMOVE NO.1 ENGINE UNDER COVER
2. DRAIN ENGINE COOLANT
3. REMOVE AIR CLEANER INLET
4. REMOVE RADIATOR AND ELECTRIC COOLING FAN ASSEMBLY
 - (a) Disconnect the engine ECU outlet duct from the radiator.
 - (b) Disconnect the upper radiator hose from the radiator.
 - (c) Disconnect the lower radiator hose from the radiator.
 - (d) A/T:
Disconnect the 2 oil cooler hoses from the radiator.
 - (e) Disconnect the water temperature switch connector for the electric cooling fan.
 - (f) Disconnect the 2 electric cooling fan connectors.
 - (g) Disconnect the wire for the electric cooling fan from the clamps on the electric cooling fan.



- (h) Remove the 2 bolts and 2 upper radiator supports.
- (i) Lift out the radiator and cooling fan assembly.
- (j) Remove the 2 lower radiator supports.



5. REMOVE ELECTRIC COOLING FAN FROM RADIATOR
 - (a) Disconnect the radiator reservoir hose from the radiator.
 - (b) Remove the 6 bolts and electric cooling fan.