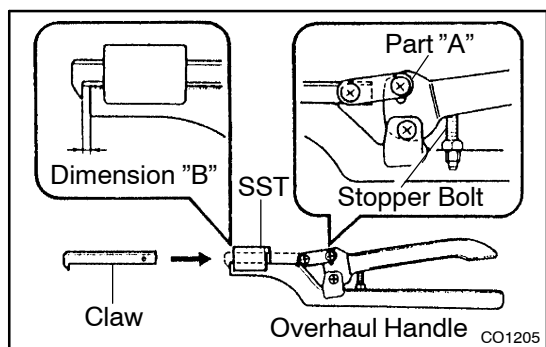


DISASSEMBLY

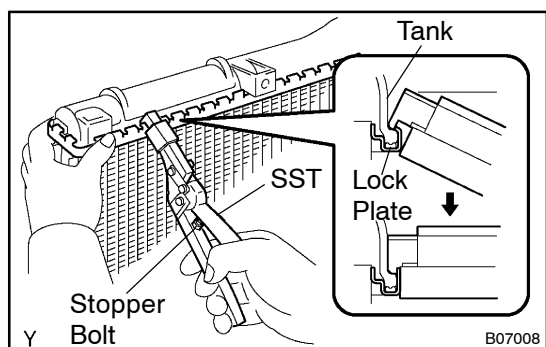
1. REMOVE PACKINGS
2. REMOVE RADIATOR CAP
3. REMOVE DRAIN PLUG
 - (a) Remove the drain plug.
 - (b) Remove the O-ring.
4. REMOVE WATER TEMPERATURE SWITCH
 - (a) Remove the water temperature switch.
 - (b) Remove the O-ring.



5. ASSEMBLE SST
SST 09230-01010
 - (a) Install the claw to the overhaul handle, inserting it in the hole in part "A" as shown in the diagram.
 - (b) While gripping the handle, adjust the stopper bolt so that dimension "B" is as shown in the illustration.
Dimension B: 0.2 - 0.3 mm (0.008 - 0.012 in)

NOTICE:

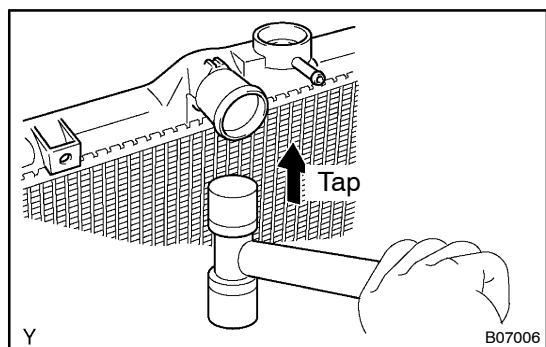
If this adjustment is not done the claw may be damaged.



6. UNCAULK LOCK PLATES

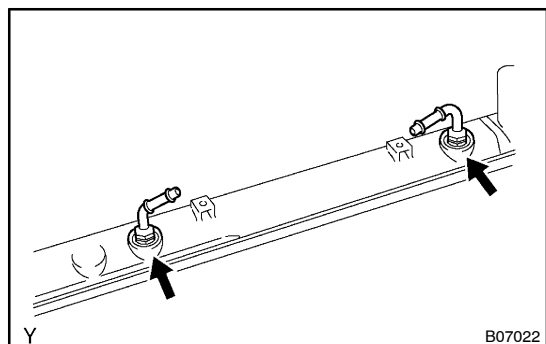
Using SST to release the caulking, squeeze the handle until stopped by the stopper bolt.

SST 09230-01010



7. REMOVE TANKS AND O-RINGS

Lightly tap the bracket of the radiator (or radiator inlet or outlet) with a soft-faced hammer, and remove the tank and the O-ring.



8. A/T:

REMOVE OIL COOLER FROM LOWER TANK

 - (a) Loosen the nut, and remove the cooler pipe. Remove the 2 cooler pipes.
 - (b) Remove the 2 nuts and 2 plate washers.
 - (c) Remove the oil cooler and 2 O-rings.