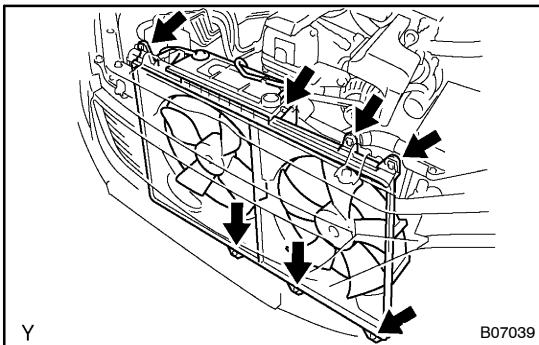


## REMOVAL

1. REMOVE NO.1 ENGINE UNDER COVER
2. DRAIN ENGINE COOLANT
3. REMOVE AIR CLEANER INLET
4. REMOVE ELECTRIC COOLING FAN
  - (a) Remove the upper radiator hose.
  - (b) Disconnect the engine ECU outlet duct from the fan shroud.
  - (c) Disconnect the 2 electric cooling fan connector.
  - (d) Disconnect the wire for the electric cooling fan from the clamps on the electric cooling fan.
  - (e) Disconnect the radiator reservoir hose from the radiator.



- (f) Remove the 6 bolts and electric cooling fan.