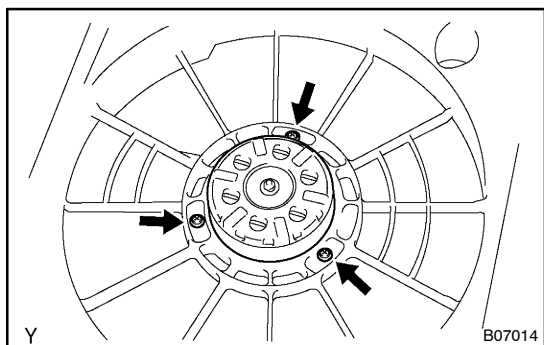


DISASSEMBLY

1. REMOVE FANS

Remove the nut and fan. Remove the 2 fans.



2. REMOVE FAN MOTORS

Remove the 3 screws and fan motor. Remove the 2 fan motors.