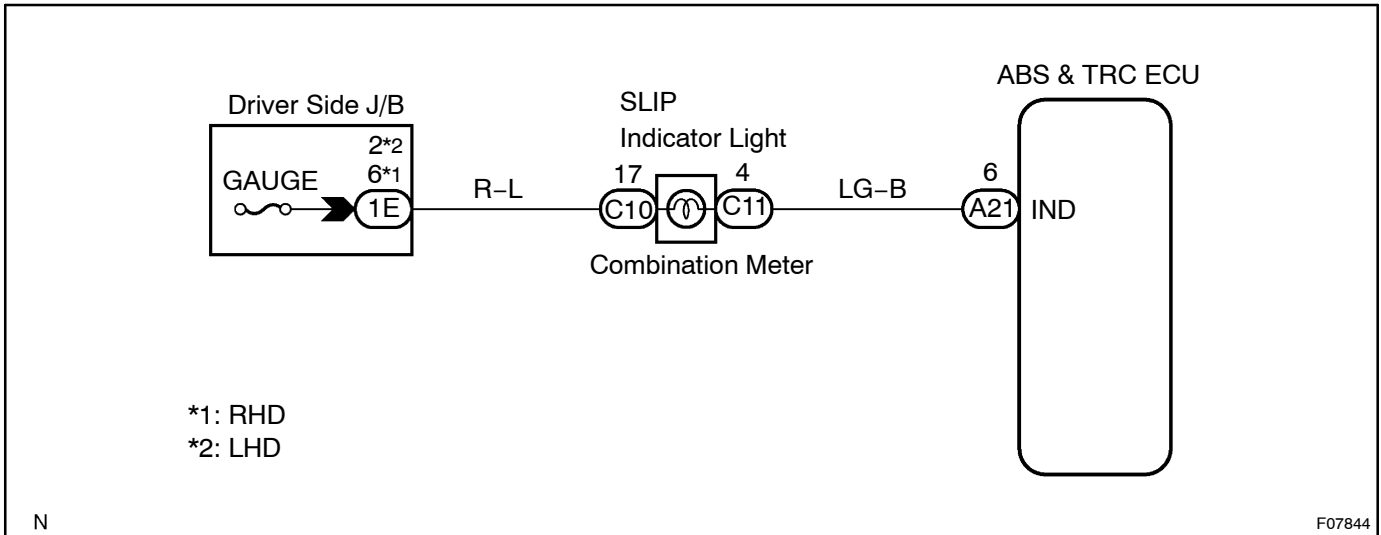


SLIP Indicator Light Circuit

CIRCUIT DESCRIPTION

The SLIP indicator blinks during TRC operation.

WIRING DIAGRAM



INSPECTION PROCEDURE

Start the inspection from step 1 in case of using the hand-held tester and start from step 2 in case of not using the hand-held tester.

1 Check operation of the SLIP indicator light.

PREPARATION:

- Connect the hand-held tester to the DLC3.
- Turn the ignition switch ON and push the hand-held tester main switch ON.
- Select the ACTIVE TEST mode on the hand-held tester.

CHECK:

Check that "ON" and "OFF" of the SLIP indicator light can be shown on the combination meter by the hand-held tester.

OK

Go to step 4.

NG

2 Check that the SLIP indicator light is ON for 3 seconds soon after ignition switch is turned ON.

OK

Check and replace ABS & TRC ECU.

NG

3 Check SLIP indicator light.

See combination meter troubleshooting on page BE-2.

NG

Repair bulb or combination meter assembly (See page BE-80).

OK

4 Check for open and short circuit in harness and connector between ABS & TRC ECU and SLIP indicator light (See page IN-32).

NG

Repair or replace harness or connector.

OK

Check and replace ABS & TRC ECU.