

DTC	B0115/47	Short in Side Squib (LH) Circuit
------------	-----------------	---

CIRCUIT DESCRIPTION

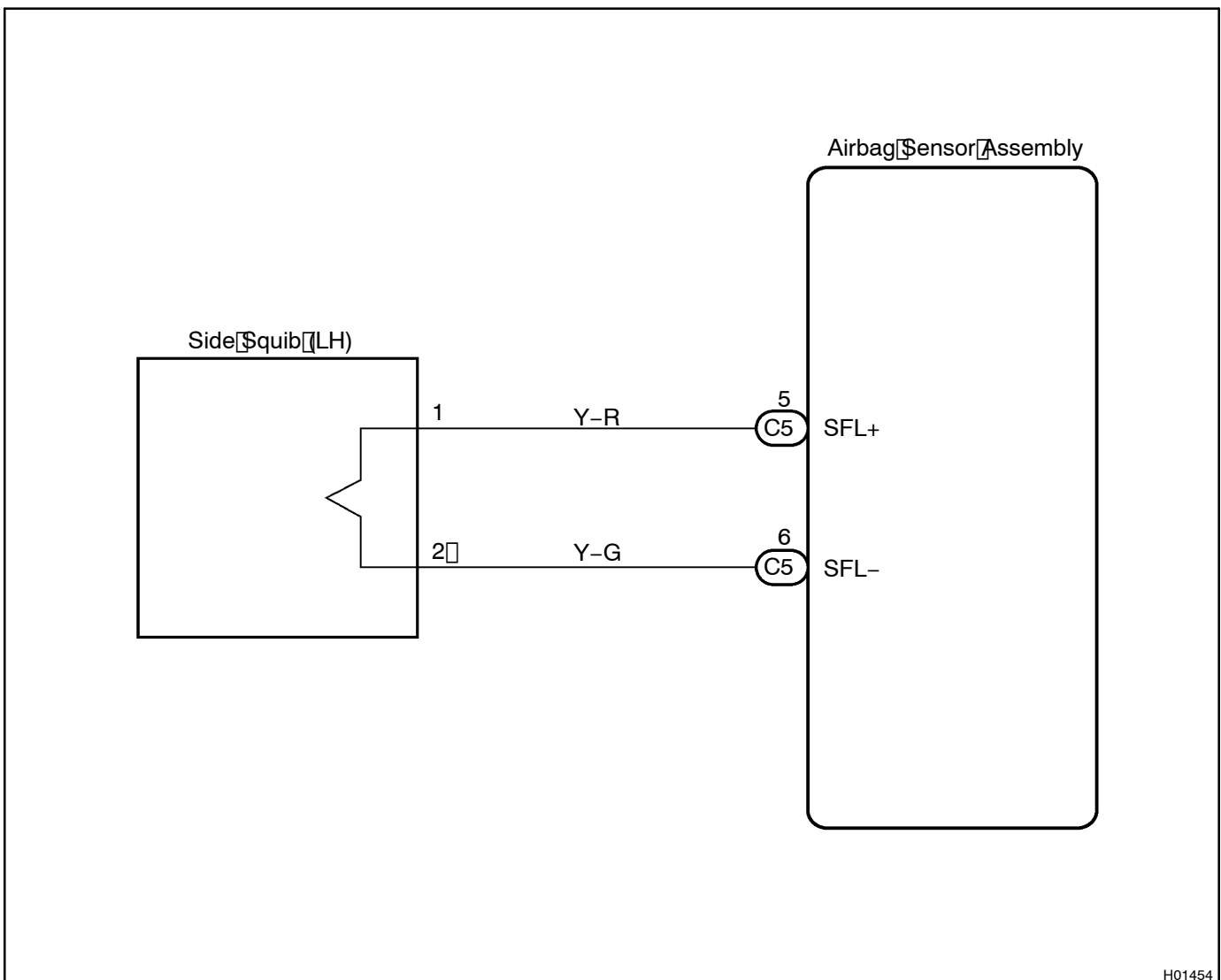
The side squib (LH) circuit consists of the airbag sensor assembly and side airbag assembly (LH). It causes the SRS to deploy when the SRS deployment conditions are satisfied.

For details of the function of each component, see OPERATION on page RS-2.

DTC B0115/47 is recorded when a short is detected in the side squib (LH) circuit.

DTC No.	DTC Detecting Condition	Trouble Area
B0115/47	<ul style="list-style-type: none"> • Short circuit between SFL+ wire harness and SFL- wire harness of squib • Side squib (LH) malfunction • Airbag sensor assembly malfunction 	<ul style="list-style-type: none"> • Side airbag assembly (LH) • Airbag sensor assembly • Wire harness

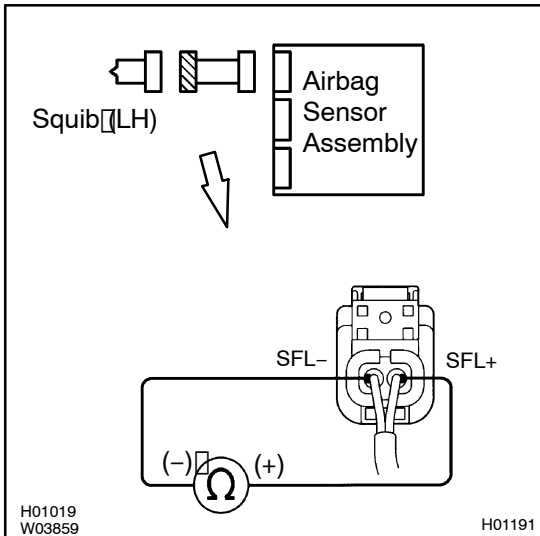
WIRING DIAGRAM



INSPECTION PROCEDURE

1 Prepare for inspection. (See step 1 on page DI-416)

2 Check side squib (LH) circuit.

**PREPARATION:**

Release the airbag activation prevention mechanism of the connector (on the airbag sensor assembly side) between the airbag sensor assembly and the side airbag assembly (LH). (See page DI-287)

CHECK:

For the connector (on the side airbag assembly side) between the side airbag assembly (LH) and the airbag sensor assembly, measure the resistance between SFL+ and SFL-.

OK:

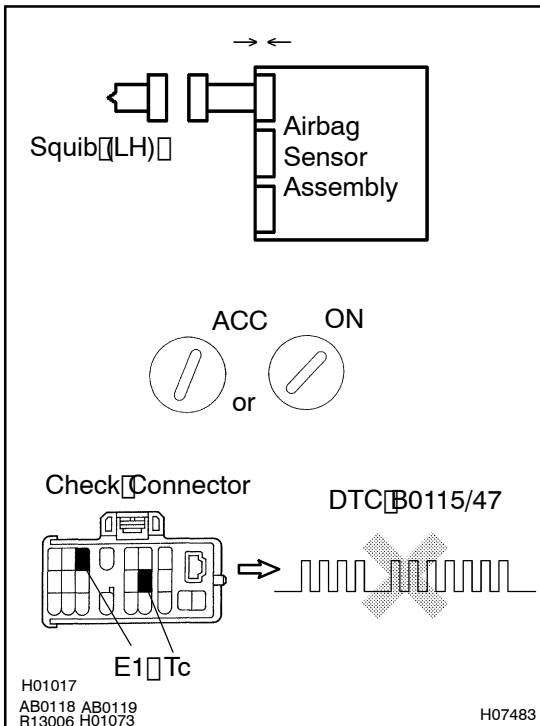
Resistance: 1 MΩ or Higher

NG

Repair or replace harness or connector between side airbag assembly (LH) and airbag sensor assembly.

OK

3 Check airbag sensor assembly.



PREPARATION:

- Connect the connector to the airbag sensor assembly.
- Connect negative (-) terminal cable to the battery, and wait at least for 2 seconds.

CHECK:

- Turn ignition switch to ACC or ON, and wait at least for 20 seconds.
- Clear DTC stored in memory. (See page DI-287)
- Turn ignition switch to LOCK, and wait at least for 20 seconds.
- Turn ignition switch to ACC or ON, and wait at least for 20 seconds.
- Check DTC. (See page DI-287)

OK:

DTC B0115/47 is not output.

HINT:

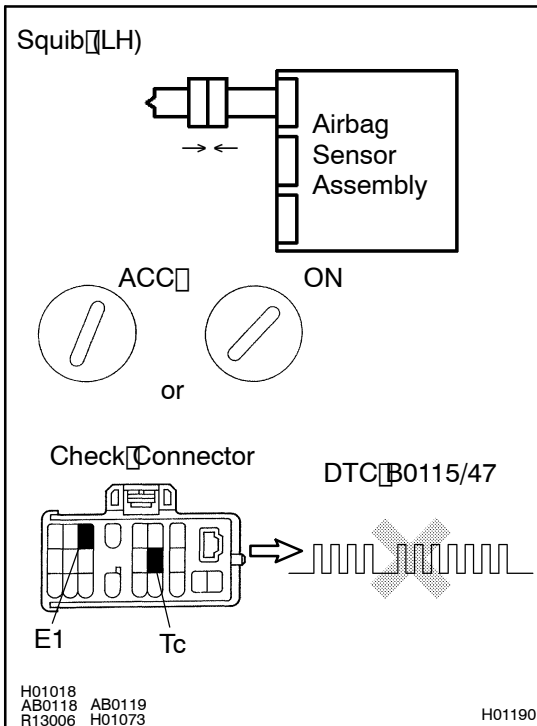
Codes other than code B0115/47 may be output at this time, but they are not relevant to this check.

NG

Replace airbag sensor assembly.

OK

4 Check side squib (LH).



PREPARATION:

- Turn ignition switch to LOCK.
- Disconnect negative (-) terminal cable from the battery, and wait at least for 90 seconds.
- Connect the side airbag assembly (LH) connector.
- Connect negative (-) terminal cable to the battery, and wait at least for 2 seconds.

CHECK:

- Turn ignition switch to LOCK, and wait at least for 20 seconds.
- Turn ignition switch to ACC or ON, and wait at least for 20 seconds.
- Clear DTC stored in memory. (See page DI-287)
- Turn ignition switch to LOCK, and wait at least for 20 seconds.
- Turn ignition switch to ACC or ON, and wait at least for 20 seconds.
- Check DTC. (See page DI-287)

OK:

DTC B0115/47 is not output.

HINT:

Codes other than code B0115/47 may be output at this time, but they are not relevant to this check.

NG

Replace side airbag assembly (LH).

OK

From the results of the above inspection, the malfunctioning part can now be considered normal. To make sure of this, use the simulation method to check.