

<b>DTC</b>	<b>B1141/33</b>	<b>Side Airbag Sensor Assembly (LH) Malfunction</b>
------------	-----------------	---

## CIRCUIT DESCRIPTION

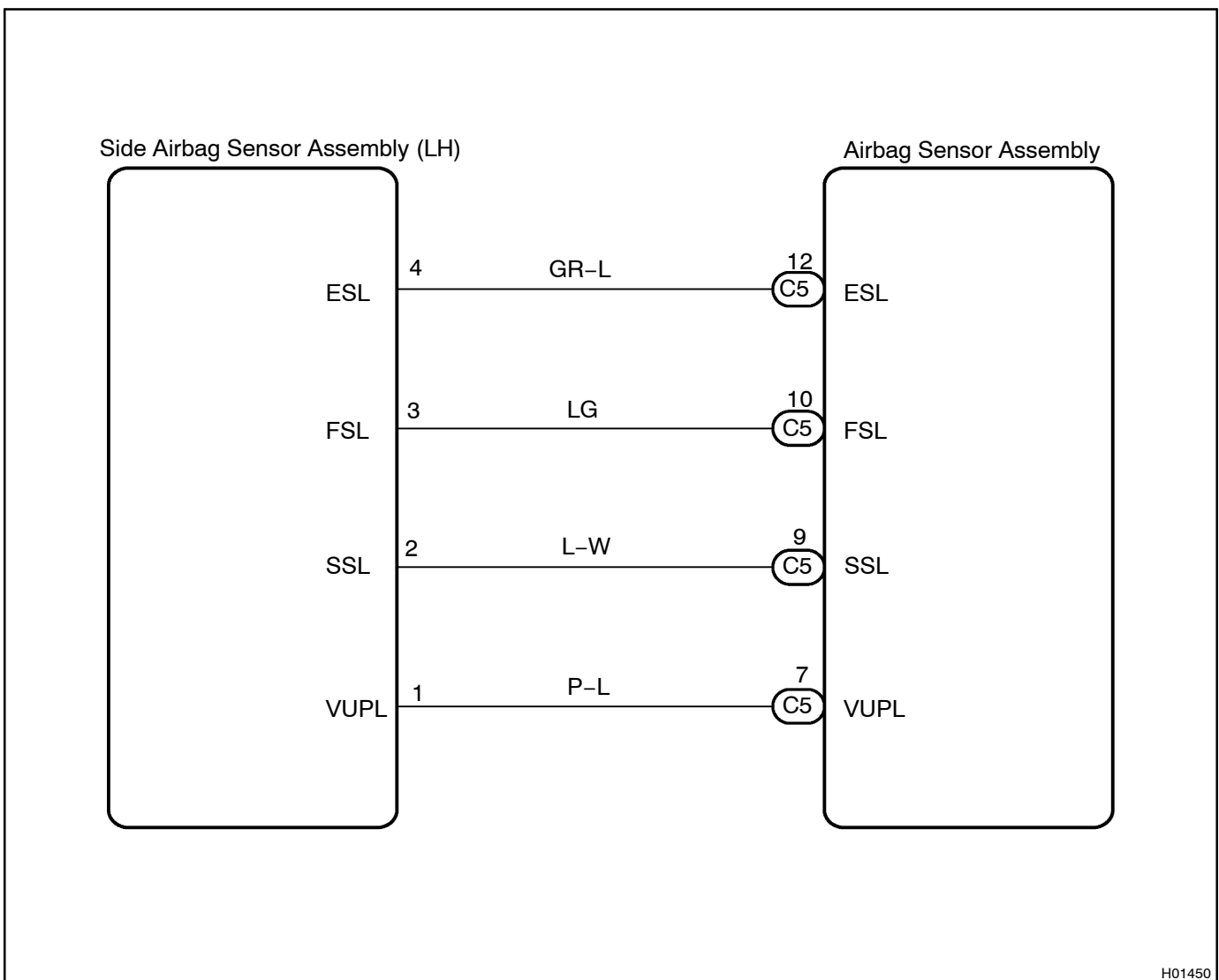
The side airbag sensor assembly (LH) consists of the safing sensor, diagnosis circuit and lateral deceleration sensor, etc.

It receives signals from the lateral deceleration sensor, judges whether or not the SRS must be activated, and detects diagnosis system malfunction.

DTC B1141/33 is recorded when occurrence of a malfunction in the side airbag sensor assembly (LH) is detected.

DTC No.	DTC Detecting Condition	Trouble Area
B1141/33	•Side airbag sensor assembly (LH) malfunction	<ul style="list-style-type: none"> <li>•Side airbag sensor assembly (LH)</li> <li>•Wire harness</li> <li>•Airbag sensor assembly</li> </ul>

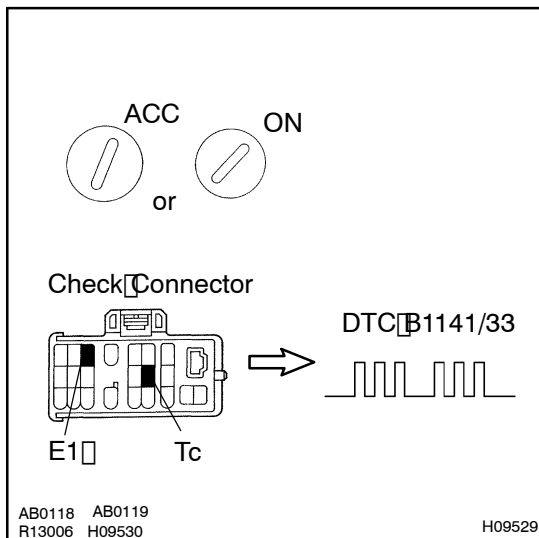
## WIRING DIAGRAM



H01450

## INSPECTION PROCEDURE

## 1 Is DTC B1141/33 output?

**CHECK:**

- Turn ignition switch to ACC or ON, and wait at least for 20 seconds.
- Clear DTC stored in memory.  
(See step 5 on page DI-287)
- Turn ignition switch to LOCK, and wait at least for 20 seconds.
- Turn ignition switch to ACC or ON, and wait at least for 20 seconds.
- Check DTC. (See page DI-287)

**HINT:**

Codes other than code B1141/33 may be output at this time, but they are not relevant to this check.

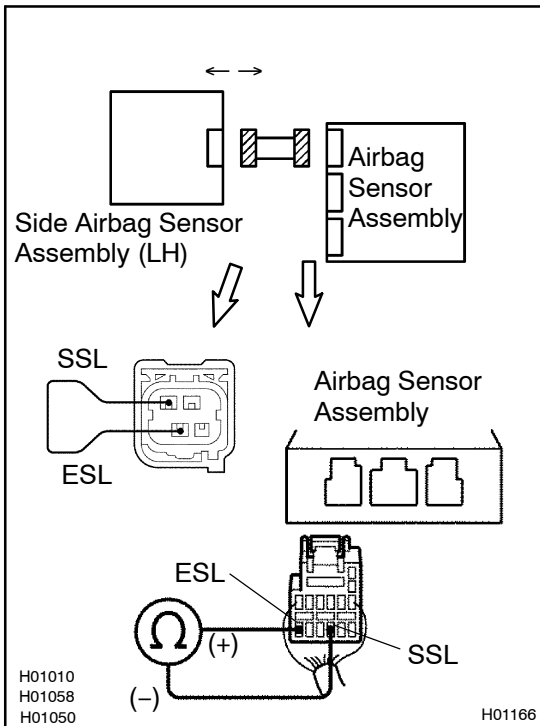
YES

The malfunctioning part can now be considered normal. To make sure of this, use the simulation method to check.

NO

## 2 Is connector of side airbag sensor assembly (LH) properly connected?

## 3 Prepare for inspection. (See step 1 on page DI-416)

**4 Check wire harness.****PREPARATION:**

- Disconnect the side airbag sensor assembly connector (LH).
- Using a service wire, connect SSL and ESL of the connector (on the side airbag sensor assembly side) between the side airbag sensor assembly (LH) and the airbag sensor assembly.

**CHECK:**

For the connector (on the airbag sensor assembly side) between the side airbag sensor assembly (LH) and the airbag sensor assembly, measure the resistance between SSL and ESL.

**OK:**

**Resistance: Below 1  $\Omega$**

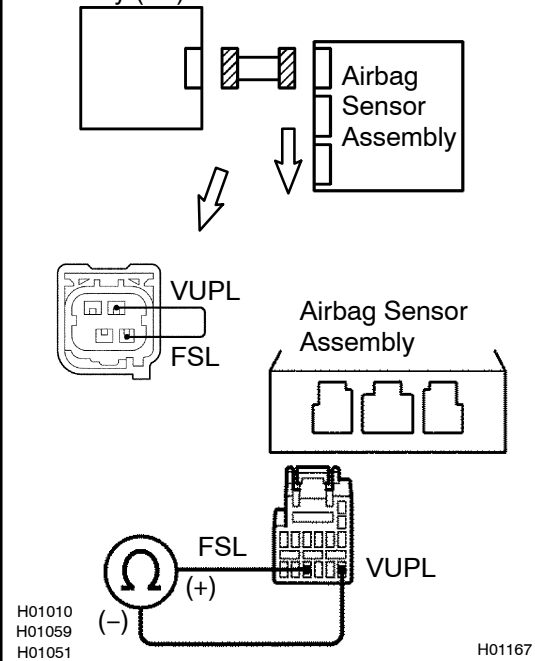
**NG**

**Repair or replace harness or connector between side airbag sensor assembly (LH) and airbag sensor assembly.**

**OK**

## 5 Check wire harness.

Side Airbag Sensor  
Assembly (LH)



### **PREPARATION:**

Using a service wire, connect VUPL and FSL of the connector (on the side airbag sensor assembly side) between the side airbag sensor assembly (LH) and the airbag sensor assembly.

### **CHECK:**

For the connector (on the airbag sensor assembly side) between the side airbag sensor assembly (LH) and the airbag sensor assembly, measure the resistance between VUPL and FSL.

### **OK:**

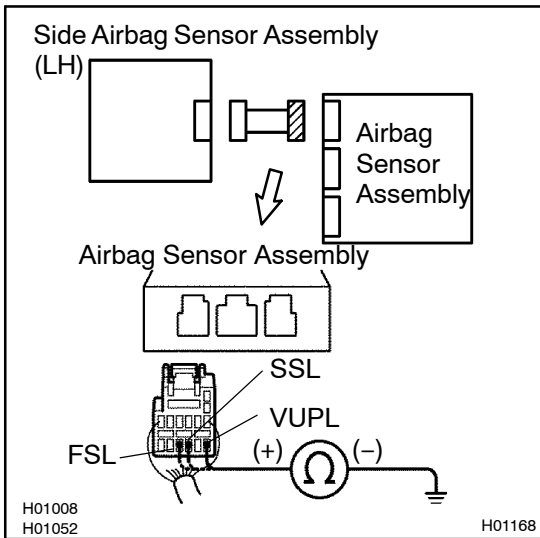
**Resistance: Below 1  $\Omega$**

**NG**

**Repair or replace harness or connector between side airbag sensor assembly (LH) and airbag sensor assembly.**

**OK**

## 6 Check wire harness (to ground).



### CHECK:

For the connector (on the airbag sensor assembly side) between the side airbag sensor assembly (LH) and the airbag sensor assembly, measure the resistance between body ground and each of SSL, VUPL and FSL.

### OK:

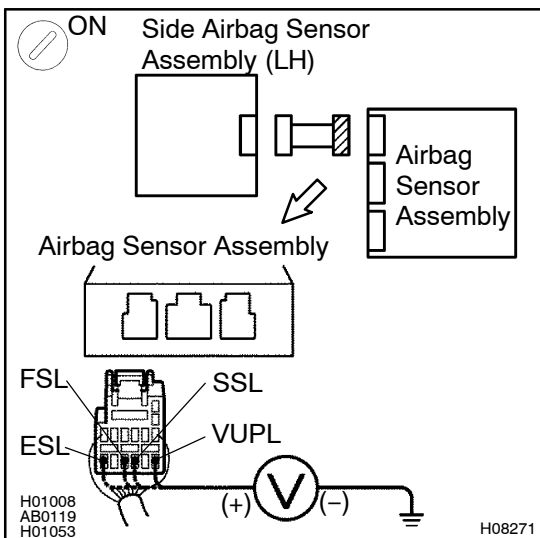
**Resistance: 1 MΩ or Higher**

NG

**Repair or replace harness or connector between side airbag sensor assembly (LH) and airbag sensor assembly.**

OK

## 7 Check wire harness (to B+).



### CHECK:

- Turn ignition switch to ON.
- For the connector (on the airbag sensor assembly side) between the side airbag sensor assembly (LH) and the airbag sensor assembly, measure the voltage between body ground and each of SSL, ESL, VUPL and FSL.

### OK:

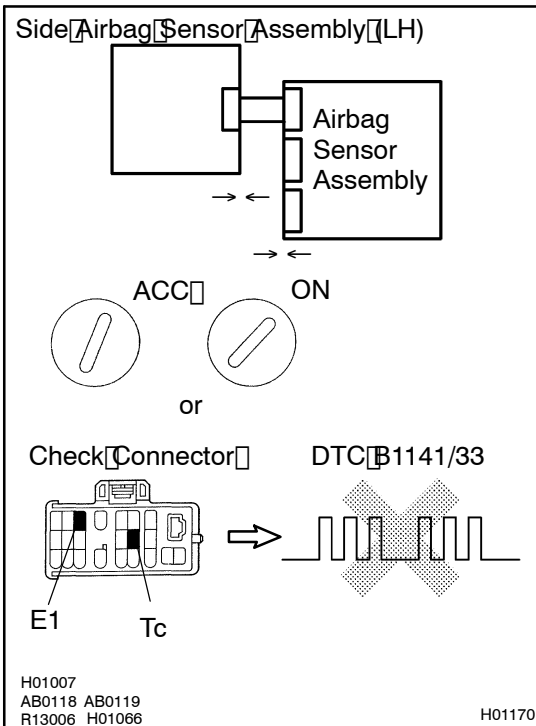
**Voltage: 0 V**

NG

**Repair or replace harness or connector between side airbag sensor assembly (LH) and airbag sensor assembly.**

OK

## 8 Is DTC B1141/33 output again?



### PREPARATION:

- Connect the connector to the side airbag sensor assembly (LH).
- Connect the connector to the airbag sensor assembly.
- Connect negative (-) terminal cable to the battery, and wait at least for 2 seconds.

### CHECK:

- Turn ignition switch to ACC or ON, and wait at least for 20 seconds.
- Clear DTC stored in memory.  
(See step 5 on page DI-287)
- Turn ignition switch to LOCK, and wait at least for 20 seconds.
- Turn ignition switch to ACC or ON, and wait at least for 20 seconds.
- Check DTC. (See page DI-287)

### OK:

**DTC B1141/33 is not output.**

### HINT:

Codes other than code B1141/33 may be output at this time, but they are not relevant to this check.

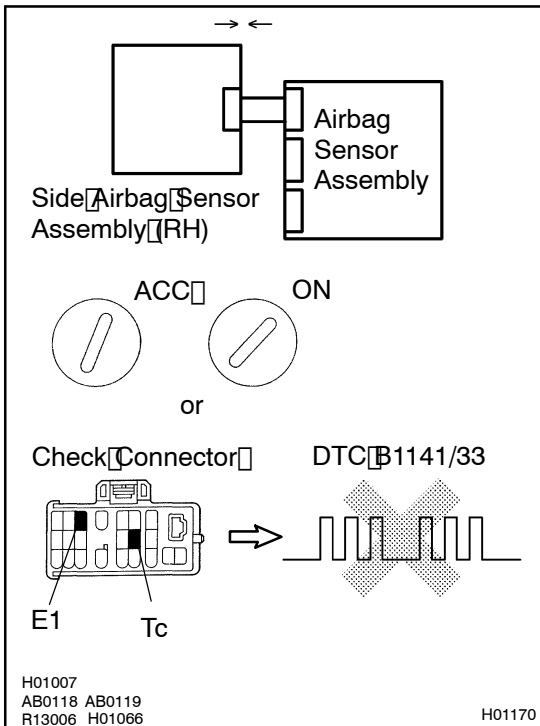
**NO**

**Go to step 9.**

**YES**

**From the results of the above inspection, the malfunctioning part can now be considered normal. To make sure of this, use the simulation method to check.**

## 9 Check airbag sensor assembly.



### PREPARATION:

- Turn ignition switch to LOCK.
- Disconnect negative (-) terminal cable from the battery, and wait at least for 90 seconds.
- Disconnect the side airbag sensor (LH) from the connector and connect the side airbag sensor (RH) to the connector.
- Connect negative (-) terminal cable to the battery, and wait at least for 2 seconds.

### CHECK:

- Turn ignition switch to ACC or ON, and wait at least for 20 seconds.
- Clear DTC stored in memory. (See step 5 on page DI-287)
- Turn ignition switch to LOCK, and wait at least for 20 seconds.
- Turn ignition switch to ACC or ON, and wait at least for 20 seconds.
- Check DTC. (See page DI-287)

### OK:

**DTC B1141/33 is not output.**

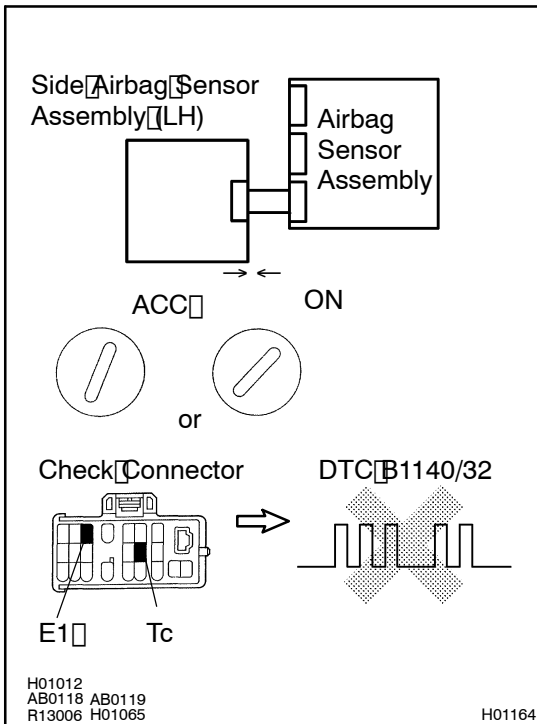
### HINT:

Codes other than code B1141/33 may be output at this time, but they are not relevant to this check.

NG

**Replace airbag sensor assembly.**

OK

**10 Check side airbag sensor assembly (LH).****PREPARATION:**

- Turn ignition switch to LOCK.
- Disconnect negative (-) terminal cable from the battery, and wait at least for 90 seconds.
- Connect the side airbag sensor (LH) to the connector that the side airbag sensor (RH) was connected to.
- Connect negative (-) terminal cable to the battery, and wait at least for 2 seconds.

**CHECK:**

- Turn ignition switch to ACC or ON, and wait at least for 20 seconds.
- Clear DTC stored in memory. (See step 5 on page DI-287)
- Turn ignition switch to LOCK, and wait at least for 20 seconds.
- Turn ignition switch to ACC or ON, and wait at least for 20 seconds.
- Check DTC. (See page DI-287)

**OK:**

**DTC B1140/32 is not output.**

**HINT:**

Codes other than code B1140/32 may be output at this time, but they are not relevant to this check.

**NG****Replace side airbag sensor assembly (LH).****OK**

**From the results of the above inspection, the malfunctioning part can now be considered normal. To make sure of this, use the simulation method to check.**