

<b>DTC</b>	<b>Normal</b>	<b>Source Voltage Drop</b>
------------	---------------	----------------------------

### CIRCUIT DESCRIPTION

The SRS is equipped with a voltage-increase circuit (DC-DC converter) in the airbag sensor assembly in case the source voltage drops.

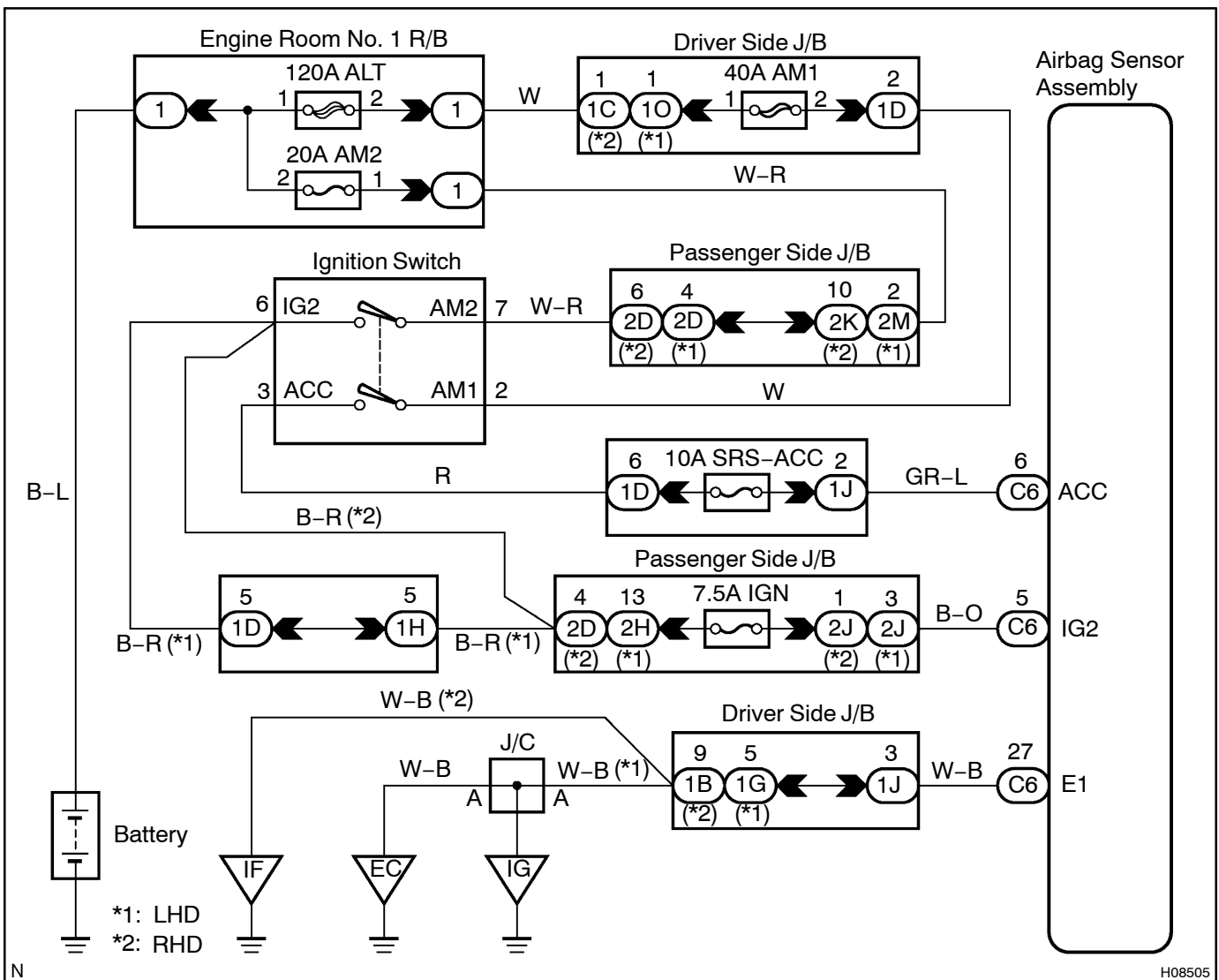
When the battery voltage drops, the voltage-increase circuit (DC-DC converter) functions to increase the voltage of the SRS to normal voltage.

The diagnosis system malfunction display for this circuit is different from other circuits that is when the SRS warning light remains lit up and the DTC is a normal code, source voltage drop is indicated.

Malfunction in this circuit is not recorded in the airbag sensor assembly, and the source voltage returns to normal, the SRS warning light automatically goes off.

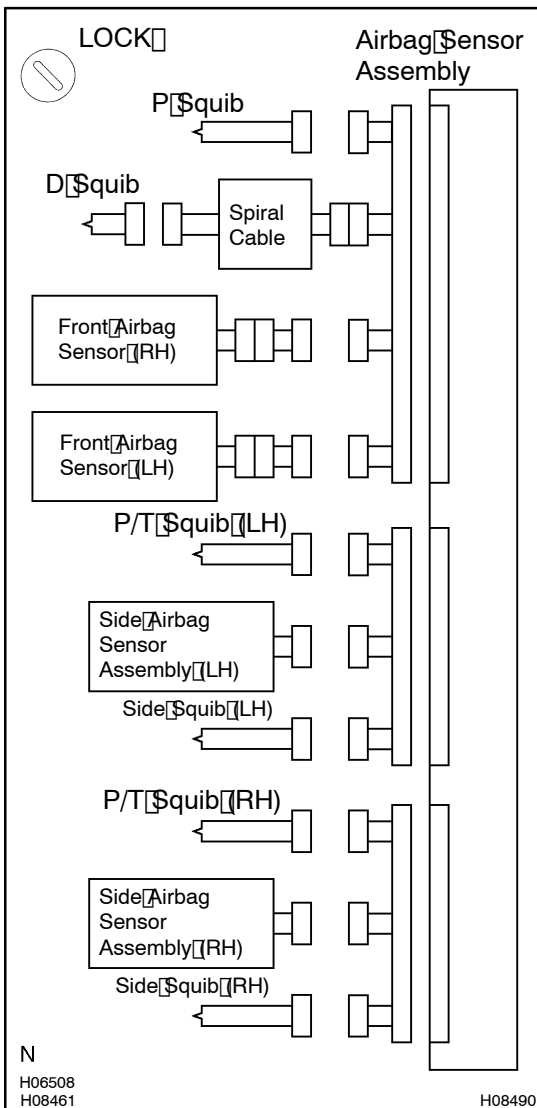
DTC No.	Diagnosis
(Normal)	Source voltage drop

### WIRING DIAGRAM



## INSPECTION PROCEDURE

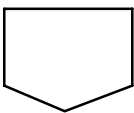
## 1 Prepare for inspection.

**PREPARATION:**

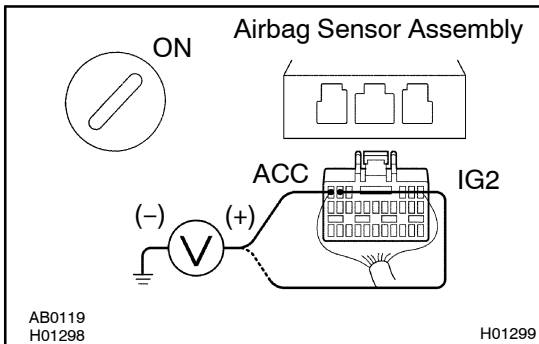
- Disconnect the negative (-) terminal cable from the battery, and wait at least for 90 seconds.
- Remove the steering wheel pad. (See page SR-12)
- Disconnect the connector of the front passenger airbag assembly. (See page RS-27)
- Disconnect the connectors of the side airbag assembly RH and LH. (See page RS-39)
- Disconnect the connectors of the seat belt pretensioner RH and LH. (See page BO-150)
- Disconnect the connectors of the airbag sensor assembly. (See page RS-54)
- Disconnect the connectors of the front airbag sensor RH and LH. (See page RS-59)
- Disconnect the connectors of the side airbag sensor assembly RH and LH. (See page RS-64)

**CAUTION:**

**Store the steering wheel pad, front passenger airbag assembly and seatback assembly (with side airbag assembly) with the front surface facing upward.**



## 2 Check source voltage.



### PREPARATION:

Connect negative (-) terminal cable to the battery.

### CHECK:

- Turn ignition switch ON.
- Measure the voltage of each of IG2 and ACC on the sensor and operate electric system. (defogger, wiper, headlight, heater blower, etc.)

### OK:

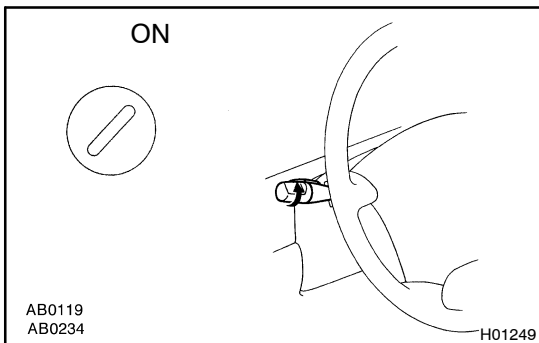
**Voltage: 10 - 14 V**

**NG**

**Check harness between battery and airbag sensor assembly, and check battery and charging system.**

**OK**

## 3 Does SRS warning light turn OFF?



### PREPARATION:

- Turn ignition switch to LOCK.
- Connect the steering wheel pad connector.
- Connect the front passenger airbag assembly connector.
- Connect the airbag sensor assembly connectors.
- Connect the side airbag assembly connectors.
- Connect the seat belt pretensioner connectors.
- Connect the side airbag sensor assembly connectors.
- Connect the front airbag sensor connectors.
- Turn ignition switch to ON.

### CHECK:

Operate electric system (defogger, wiper, headlight, heater blower, etc.) and check that SRS warning light goes off.

**NO**

**Check for DTCs. If a DTC is output, perform troubleshooting for the DTC. If a normal code is output, replace airbag sensor assembly.**

**YES**

**From the results of the above inspection, the malfunctioning part can now be considered normal. To make sure of this, use the simulation method to check.**