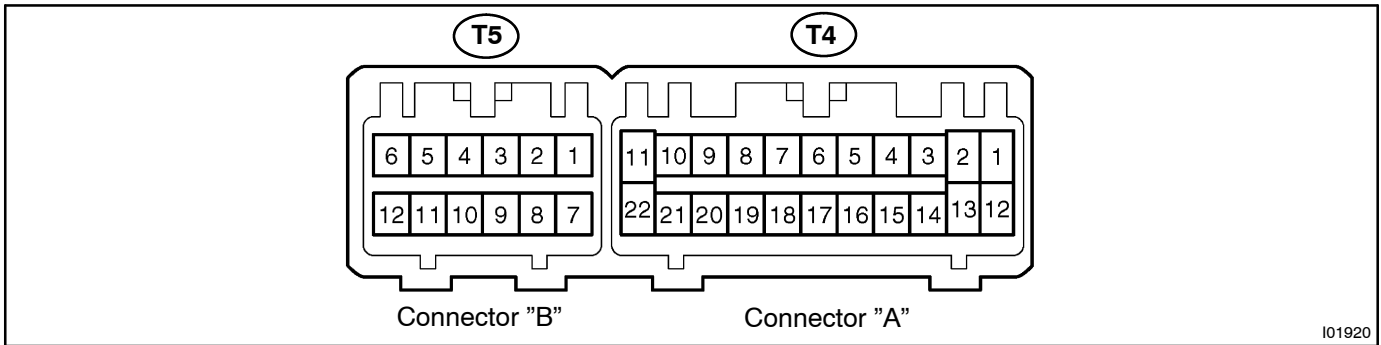


TERMINALS OF ECU



Symbols (Terminals No.)	Wiring Color	Condition	STD Value
HEAD ↔ E (T4-1 ↔ T4-22)	R-B ↔ W-B	Light control switch position is HEAD.	Below 1 V
		Light control switch position is OFF or TAIL.	10 - 14 V
TAIL ↔ E (T4-2 ↔ T4-22)	R-W ↔ W-B	Light control switch position is TAIL or HEAD.	Below 1 V
		Light control switch position is OFF.	10 - 14 V
DSWH ↔ E (T4-4 ↔ T4-22)	L-R ↔ W-B	Engine hood courtesy switch position is OFF. (Engine hood closed)	Below 1 V
		Engine hood courtesy switch position is ON. (Engine hood opened)	10 - 14 V
LUG ↔ E (T4-5 ↔ T4-22)	B-W ↔ W-B	Luggage compartment door key lock and unlock switch position is ON.	Below 1 V
		Luggage compartment door key lock and unlock switch position is OFF.	10 - 14 V
S+B ↔ E (T4-8 ↔ T4-22)	G ↔ W-B	Constant	10 - 14 V
CLTB ↔ E (T4-9 ↔ T4-22)	R ↔ W-B	Ignition switch position is LOCK or ACC.	Below 1 V
		Ignition switch position is ON.	10 - 14 V
IG ↔ E (T4-10 ↔ T4-22)	B-R ↔ W-B	Ignition switch position is LOCK or ACC.	Below 1 V
		Ignition switch position is ON.	10 - 14 V
+B1 ↔ E (T4-11 ↔ T4-22)	W-R ↔ W-B	Constant	10 - 14 V
H ↔ E (T4-12 ↔ T4-22)	R-Y ↔ W-B	Light control switch position is HEAD.	Below 1 V
		Light control switch position is OFF or TAIL.	10 - 14 V
T ↔ E (T4-13 ↔ T4-22)	R ↔ W-B	Light control switch position is TAIL or HEAD.	Below 1 V
		Light control switch position is OFF.	10 - 14 V
A ↔ E (T4-14 ↔ T4-22)	G-Y ↔ W-B	Light control switch position is AUTO.	Below 1 V
		Light control switch position is OFF, TAIL or HEAD.	10 - 14 V
FOG ↔ E (T4-17 ↔ T4-22)	W-R ↔ W-B	Fog light switch position is ON.	Below 1 V
		Fog light switch position is OFF.	10 - 14 V
TOUT ↔ E (T4-18 ↔ T4-22)	G-O ↔ W-B	Radar sensor detection invader	Below 1 V
		Constant	10 - 14 V
KSW ↔ E (T4-19 ↔ T4-22)	B-Y ↔ W-B	Key is inserted.	Below 1 V
		Key is not inserted.	10 - 14 V
CLTS ↔ E (T4-20 ↔ T4-22)	Y ↔ W-B	Ignition switch position is LOCK or ACC.	Below 1 V
		Ignition switch position is ON.	10 - 14 V
CLTE ↔ E (T4-21 ↔ T4-22)	BR ↔ W-B	Constant	Below 1 V

DIAGNOSTICS - THEFT DETERRENT SYSTEM

E ↔ Body ground (T4-22 ↔ Body ground)	W-B ↔ Body ground	Constant	Below 1 V
+B2 ↔ E (T5-1 ↔ T4-22)	R-Y ↔ W-B	Constant	10 - 14 V
HORN ↔ E (T5-4 ↔ T4-22)	G-W ↔ W-B	Horn switch position is ON.	Below 1 V
		Horn switch position is OFF.	10 - 14 V
CLTS ↔ E (T5-9 ↔ T4-22)	L-Y ↔ W-B	Theft deterrent system change condition.	One time
		Constant	10 - 14 V
TRIG ↔ E (T5-10 ↔ T4-22)	L-O ↔ W-B	Theft deterrent system is alarming condition.	Below 1 V
		Constant	10 - 14 V
IND ↔ E (T5-12 ↔ T4-22)	L-B ↔ W-B	During set preparation.	3 - 5 V