

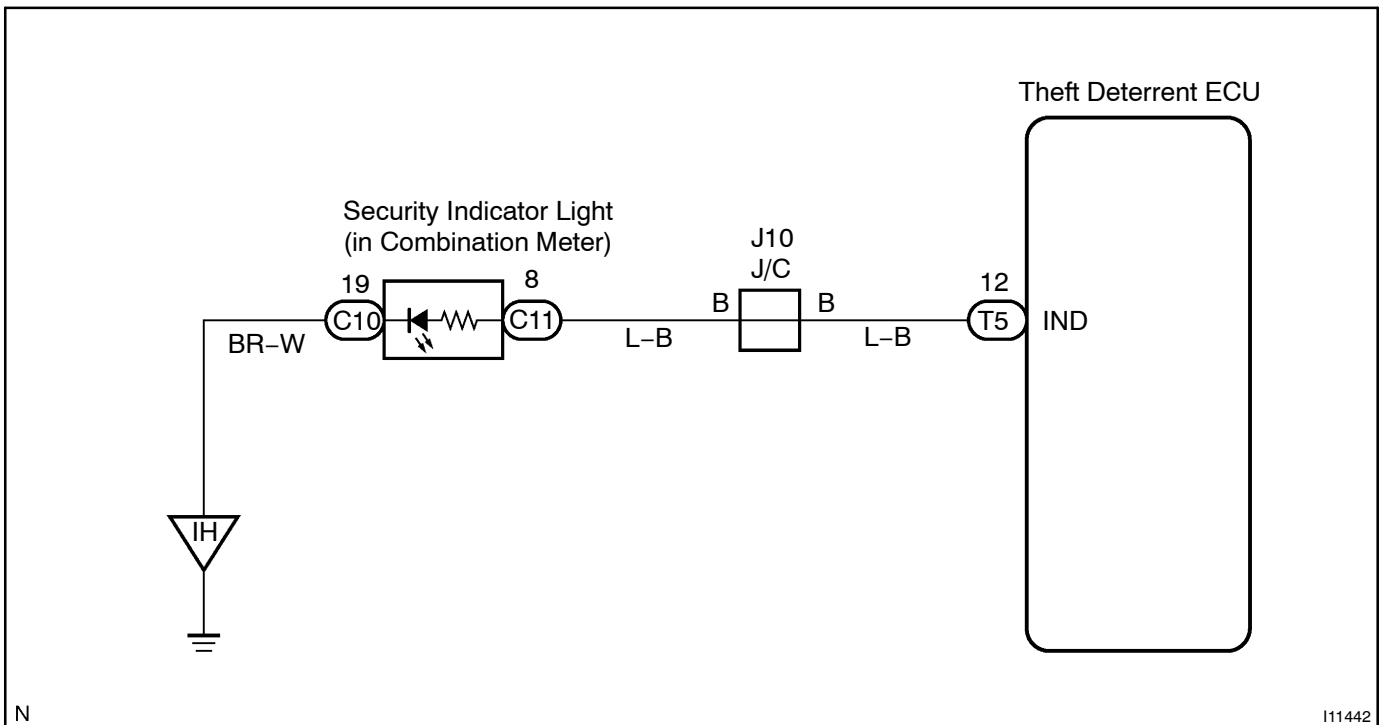
CIRCUIT INSPECTION

Indicator Light Circuit

CIRCUIT DESCRIPTION

When the theft deterrent system is preparing to set, this circuit lights up the indicator light. When the system has been set, it continually turns the indicator light ON for 1 second and turns it OFF for 1 second, thus blinking the indicator light.

WIRING DIAGRAM



N

I11442

INSPECTION PROCEDURE

HINT:

In case of using the LEXUS hand-held tester, start the inspection from step 1 and in case of not using the LEXUS hand-held tester, start from step 2.

1 Check theft deterrent indicator using LEXUS hand-held tester.

PREPARATION:

- (a) Connect the LEXUS hand-held tester to the DLC3.
- (b) Connect terminals Tc and E1 of DLC1.

CHECK:

Check that the theft deterrent indicator can light in an ACTIVE TEST.

OK

Proceed to next circuit inspection shown in problem/symptoms table (See page DI-442).

NG

2 Check indicator light (See page BE-124).

NG

Replace the bulb or meter wire harness.

OK

3 Check harness and connector between theft deterrent ECU and indicator light, indicator light and body ground (See page IN-32).

NG

Repair or replace harness or connector.

OK

Check and replace theft deterrent ECU.*1

*1: When there is a malfunction that the theft deterrent system cannot be set, proceed to the next numbered circuit inspection shown in problem/symptom table (See page DI-442).