

Horn Relay Circuit

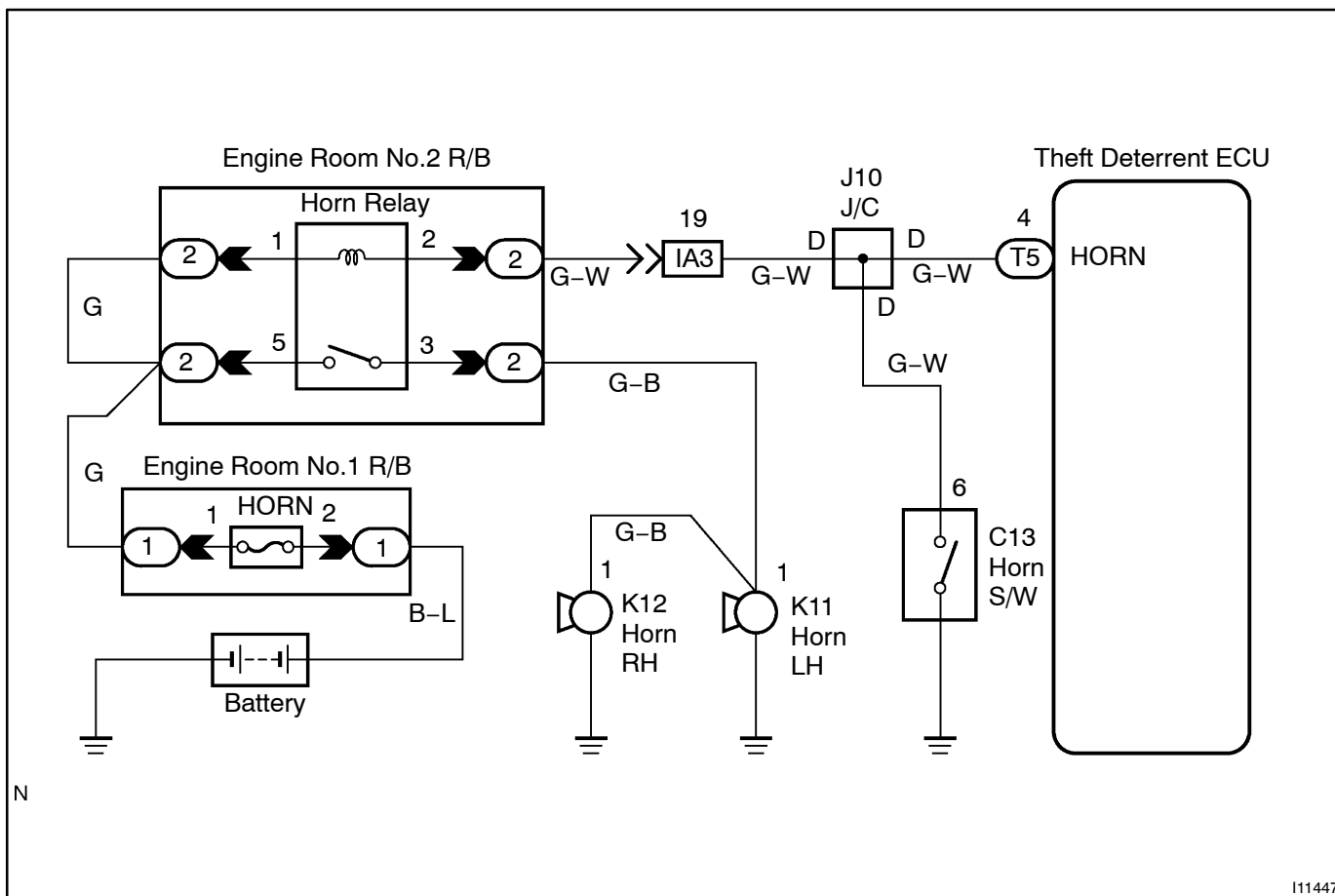
CIRCUIT DESCRIPTION

When the theft deterrent system is activated, it causes the transistor in the ECU to switch ON and OFF in approximately 0.4 sec. cycles. This switches the horn relay ON and OFF, thus the horns blow (See the wiring diagram below).

In this condition, if any of the following operations is done, the transistor in the ECU goes OFF and the horn relay switches OFF, thus stopping the horns from blowing:

- (1) Unlock the front LH or RH door with key. (Except Europe Models)
- (2) Turn the ignition switch to ACC or ON position. (Except Europe Models)
- (3) Unlock the doors with the wireless door lock control system.
- (4) Wait for approximately 30 seconds.

WIRING DIAGRAM



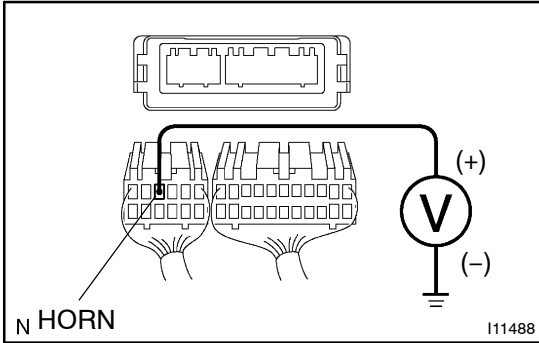
I11447

INSPECTION PROCEDURE

HINT:

The flow chart below is based on the premise that the horns blow normally whenever the horn switch is operated. If horn operation is not normal when the horn switch is operated, check the horn switch.

- 1 **Check voltage between terminal HORN of theft deterrent ECU connector and body ground.**



PREPARATION:

Disconnect the theft deterrent ECU connectors.

CHECK:

Measure voltage between terminal HORN of theft deterrent ECU connector and body ground.

OK:

Voltage: 10~14V

NG

Check and repair harness and connector between theft deterrent ECU and horn relay (See page N-32).

OK

Check and replace theft deterrent ECU (See page N-32).