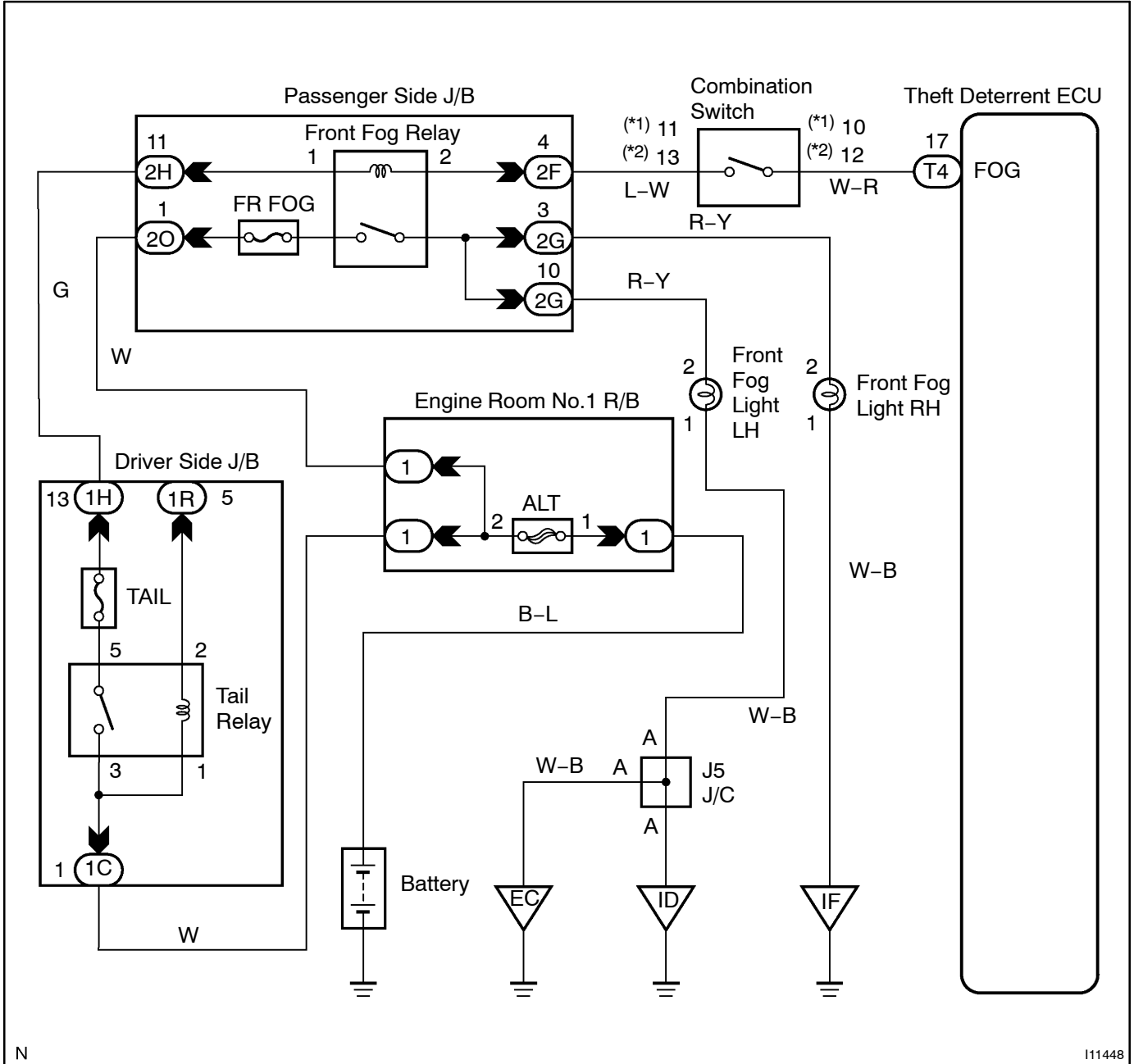


Front fog light switch and relay circuit

WIRING DIAGRAM



N

I11448

INSPECTION PROCEDURE

HINT:

In case of using the hand-held tester, start the inspection from step 1 and in case of not using the hand-held tester, start from step 2.

1 Check front fog light relay using hand-held tester.

PREPARATION:

Connect the hand-held tester to the DLC3.

CHECK:

Check that the front fog light relay can operate in an ACTIVE TEST.

OK

Proceed to next circuit inspection shown in problem symptoms table (See page DI-442).

NG

2 Check front fog light relay (See page BE-45).

NG

Replace the front fog light relay.

OK

3 Check front fog light switch (See page BE-45).

NG

Replace the front fog light switch.

OK

4 Check wire harness and connector between front fog light relay and theft deterrent ECU, battery and front fog light relay (See page IN-32).

NG

Repair or replace wire harness or connector.

OK

5 Check wire harness and connector between front fog light switch and theft deterrent ECU, battery and front fog light switch (See page IN-32).

NG

Repair or replace wire harness or connector.

OK

Proceed to next circuit inspection shown on problem/symptoms table (See page DI-442).