

## Headlight Control Relay Circuit

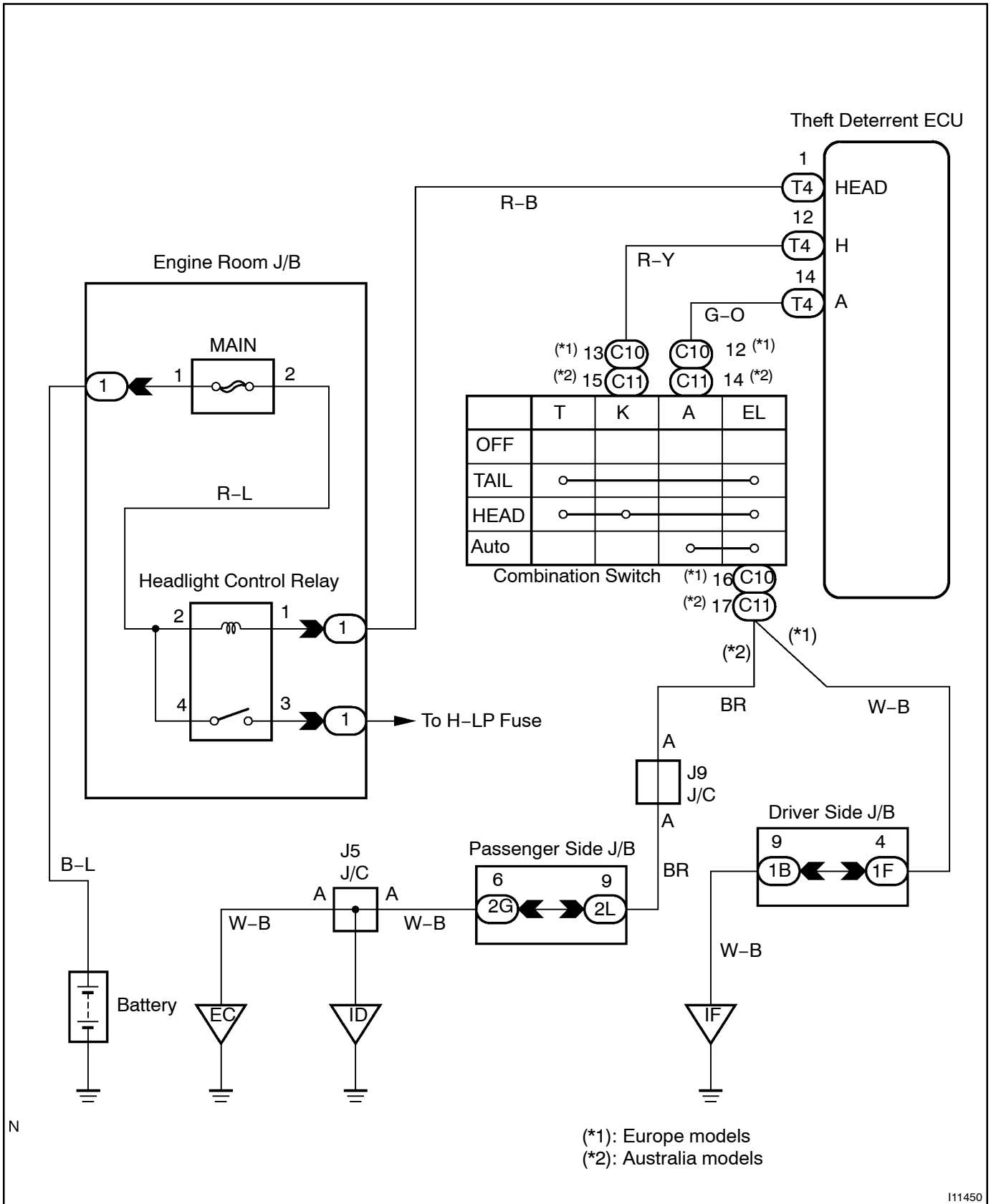
### CIRCUIT DESCRIPTION

When the theft deterrent system is activated, it causes the transistor in the ECU to switch ON and OFF at approximately 0.25 sec. intervals. This switches the headlight control relay ON and OFF, thus flashing the headlights (See the wiring diagram below).

In this condition, if any of the following operations is done, the transistor in the ECU goes OFF and the headlight control relay switches OFF, thus stopping the headlights flashing:

- (1) Unlock the front LH or RH door with a key. (Except Europe Models)
- (2) Turn the ignition switch to ACC or ON position. (Except Europe Models)
- (3) Unlock the doors with the wireless door lock control system.
- (4) Wait for approximately 30 seconds.

WIRING DIAGRAM



## INSPECTION PROCEDURE

### HINT:

The flow chart below is based on the premise that the headlights light up normally whenever the light control switch is operated. If headlight operation is not normal when the light control switch is operated, proceed to troubleshooting on [page BE-2](#).

In case of using the LEXUS hand-held tester, start the inspection from step 1 and in case of not using the LEXUS hand-held tester, start from step 2.

### 1 Check headlight relay using LEXUS hand-held tester.

#### PREPARATION:

Connect the LEXUS hand-held tester to the DLC 3.

#### CHECK:

Check that the headlight relay can operate in an ACTIVE TEST.

#### HINT:

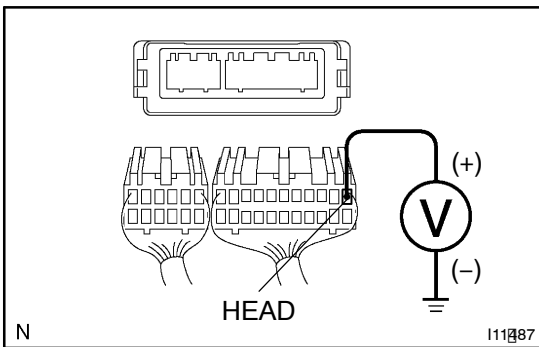
If the headlight relay is normal, the headlight comes "ON". In the case that the headlight relay activates but the headlight will not come on, check the headlight circuit.

OK

Proceed to next circuit inspection shown in problem symptoms table ([See page DI-442](#)).

NG

### 2 Check voltage between terminal HEAD of theft deterrent ECU connector and body ground.



#### PREPARATION:

Disconnect the theft deterrent ECU connector.

#### CHECK:

Measure voltage between terminal HEAD of theft deterrent ECU connector and body ground.

#### OK:

Voltage: 10~14V

NG

Check and repair harness and connector between theft deterrent ECU and headlight control relay ([See page IN-32](#)).

OK

Check and replace theft deterrent ECU ([See page IN-32](#)).