

Radar Sensor (Except Singapore)

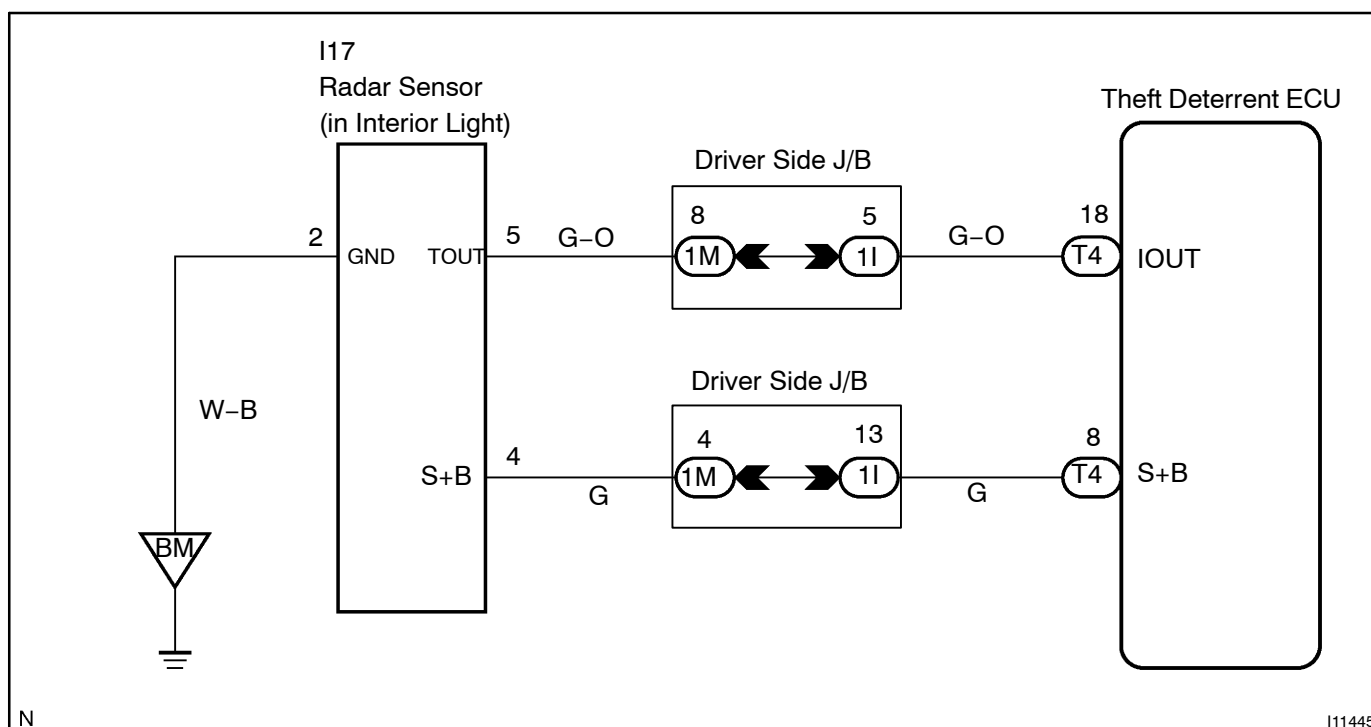
CIRCUIT DESCRIPTION

Based on the alarm sounding state input from the theft deterrent ECU (to the TRIG terminal) an alarm is issued.

However, the armed/disarmed state is determined by the CONT terminal, which monitors vehicle status, and input to the TRIG terminal is only accepted from the ECU while armed state is ON.

Moreover, open circuit detection is only carried out while armed state is ON.

WIRING DIAGRAM



INSPECTION PROCEDURE

- | | |
|---|--------------------------------------|
| 1 | Check radar sensor operation. |
|---|--------------------------------------|

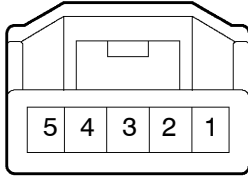
CHECK:

Set the system with a window open, and after 30 seconds put your hand through the window and shake it near the sensor to check if the alarm is triggered.

OK

No problem.

NG

2 Check radar sensor.**Connector connected**

N

I11491

PREPARATION:

Remove the room light assembly.

CHECK:

Measure the voltage and continuity terminals.

OK:

Tester connection	Condition	Specified condition
1 - Ground	Arming preparation state or armed state.	Battery voltage
	Disarmed state.	Below 1 V
2 - Ground	When the sensor does not detect any movement.	6.8 V \pm 0.2 V
	When the sensor detects movement when in arming preparation or armed state.	Below 1 V
4 - Ground	Constant	Continuity

NG**Replace radar sensor. (in Room light assembly)****OK****3 Check harness and connector between ECU and sensor, sensor and body ground (See page IN-32).****NG****Repair or replace harness or connector.****OK****Check and replace theft deterrent ECU.*1**

*1: When there is a malfunction that the theft deterrent system cannot be set, proceed to the next numbered circuit inspection shown in problem/symptom table (See page DI-442).