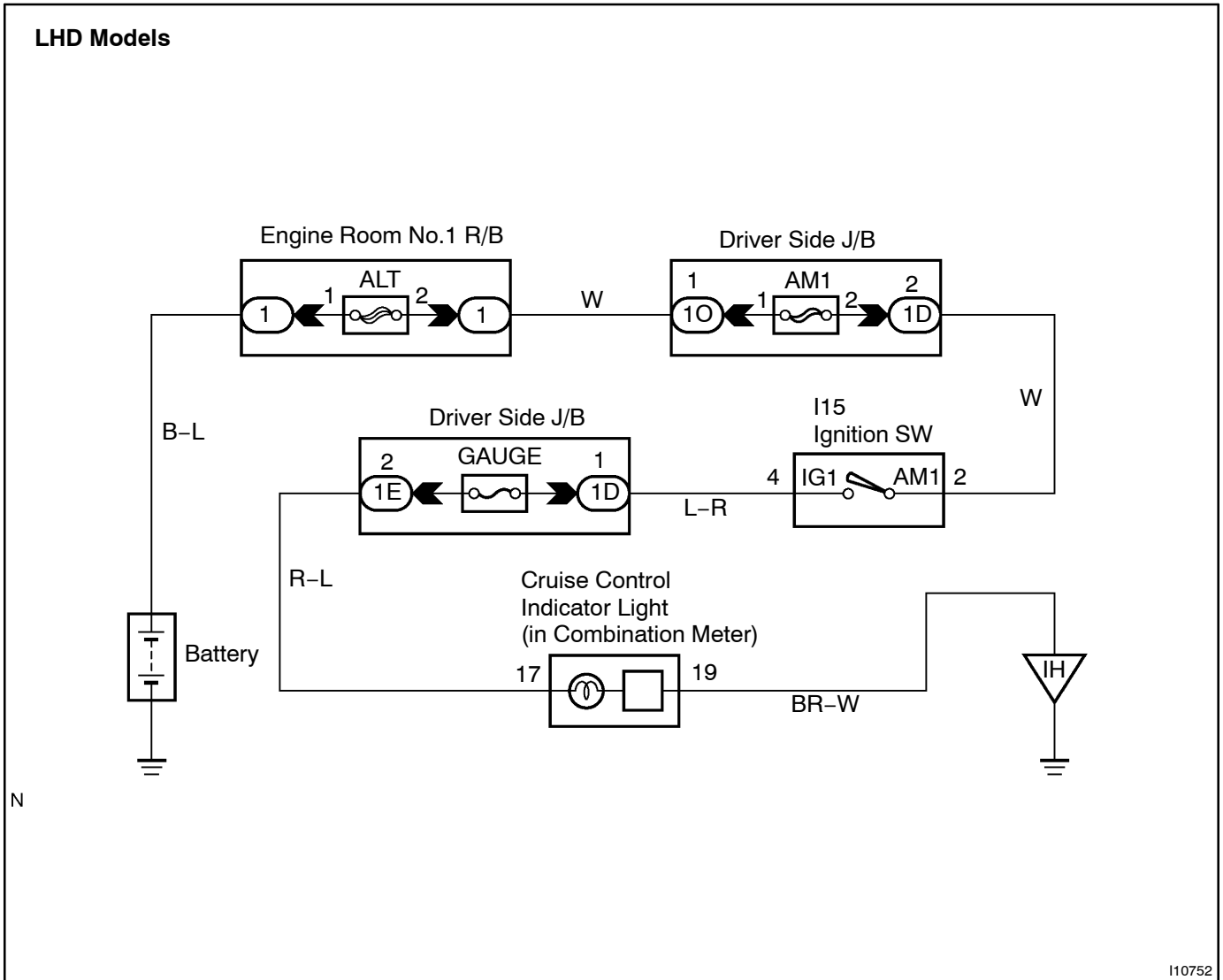


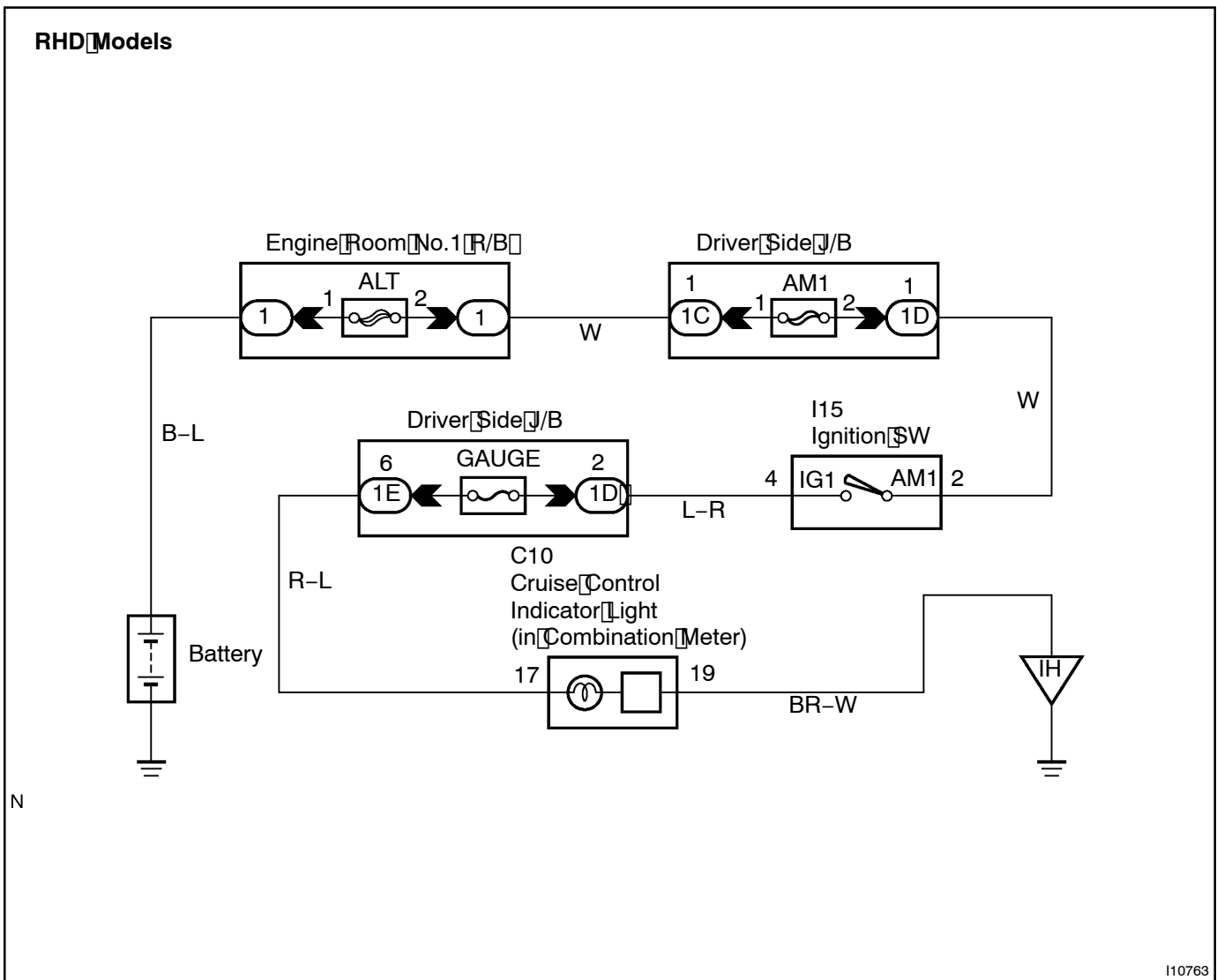
CRUISE MAIN Indicator Light Circuit

CIRCUIT DESCRIPTION

When the cruise control main switch is turned ON, CRUISE MAIN indicator light lights up.

WIRING DIAGRAM





INSPECTION PROCEDURE

1 Check combination meter (See page BE-2).

NG

Replace combination meter.

OK

Check and replace Engine and ECT ECU (See page N-32).