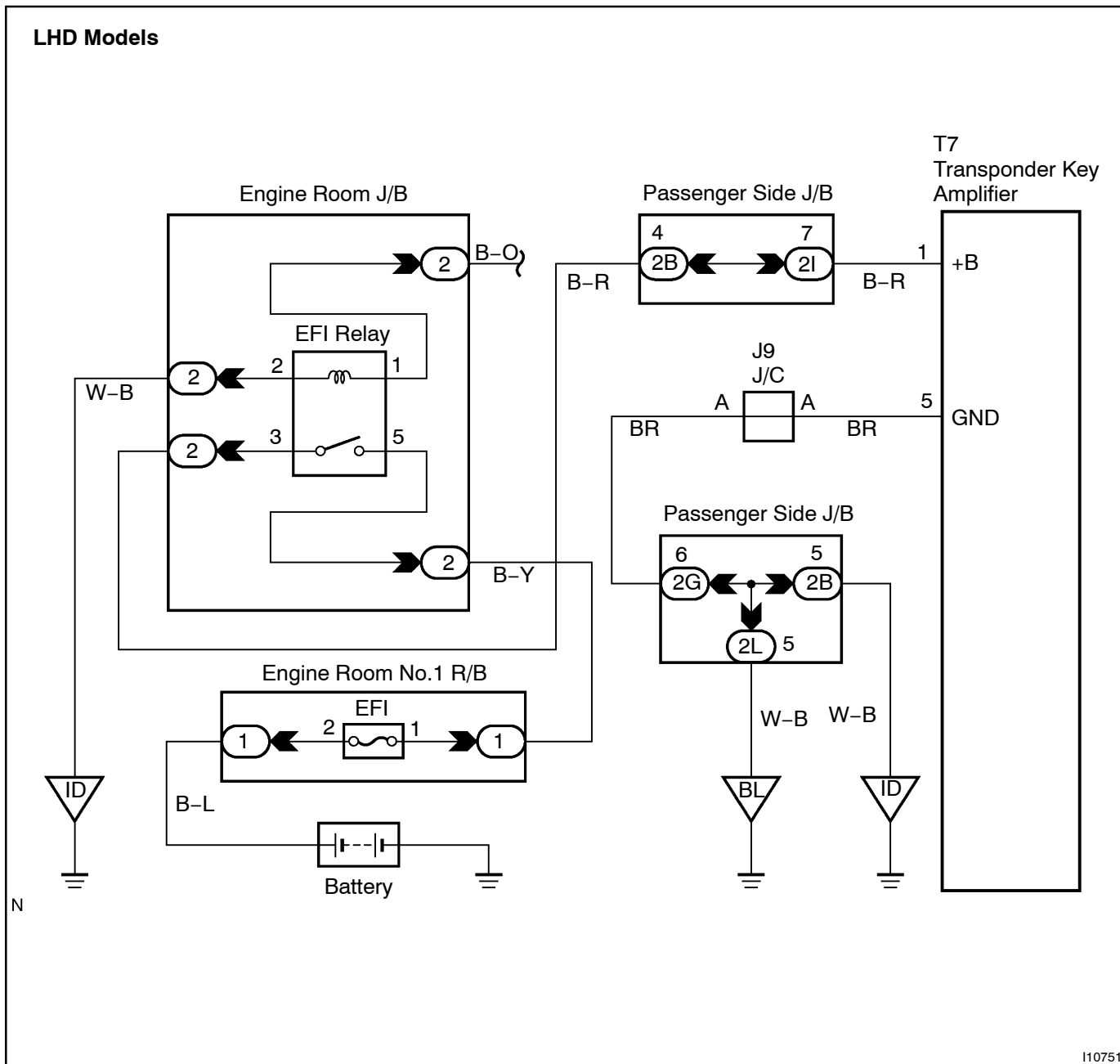


Power source circuit

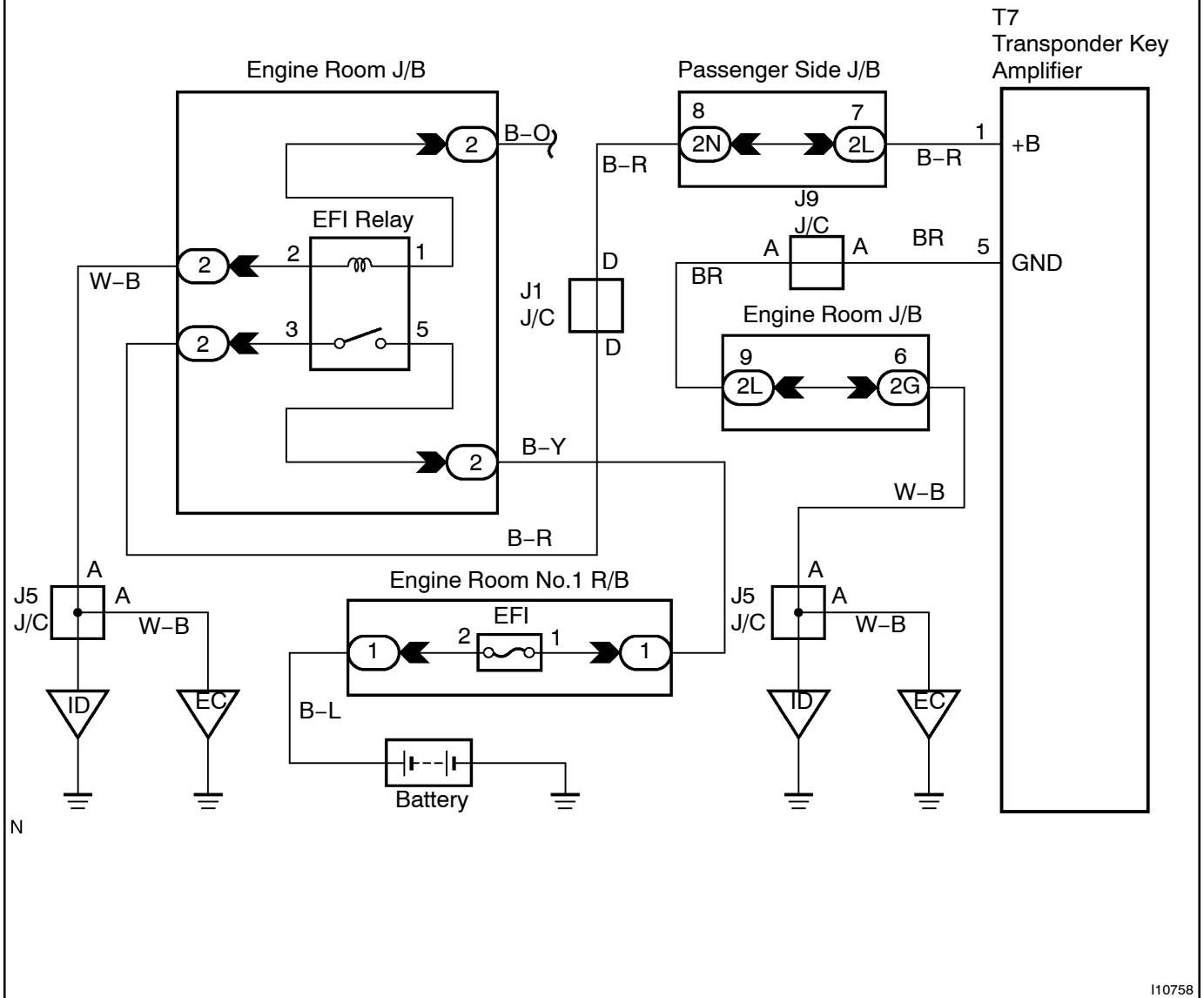
CIRCUIT DESCRIPTION

This circuit provides power to operate the Transponder Key ECU

WIRING DIAGRAM



RHD Models



I10758

INSPECTION PROCEDURE**1 Check EFI fuse.****CHECK:**

Check continuity of EFI fuse.

OK:

Continuity

NG

Replace the failure fuse.

OK

2 Check voltage between terminals EFI and GND of Transponder Key ECU connector.**PREPARATION:**

(a) Turn ignition switch OFF.

(b) Disconnect the Transponder Key ECU connector.

CHECK:

Measure voltage between terminals B and GND.

OK:

Voltage: 10 - 14 V

OK

Proceed to next circuit inspection shown in problem symptoms table (See page DI-512).

NG

3 Check wireharness and connector between Transponder Key ECU and body ground.

NG

Repair or replace wireharness or connector.

OK

Check and repair wireharness and connector between Transponder Key ECU and Battery.