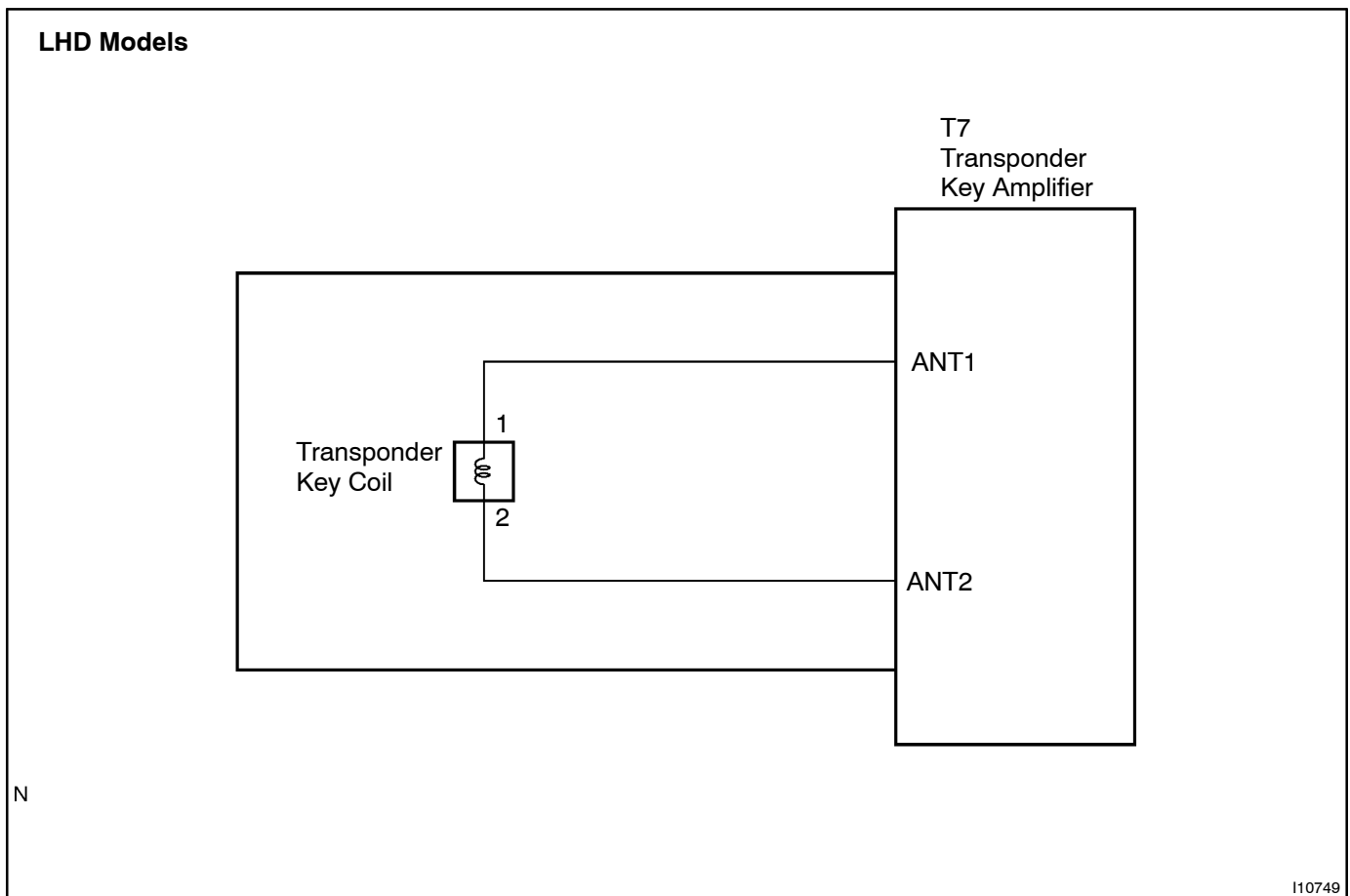


## Transponder key coil circuit

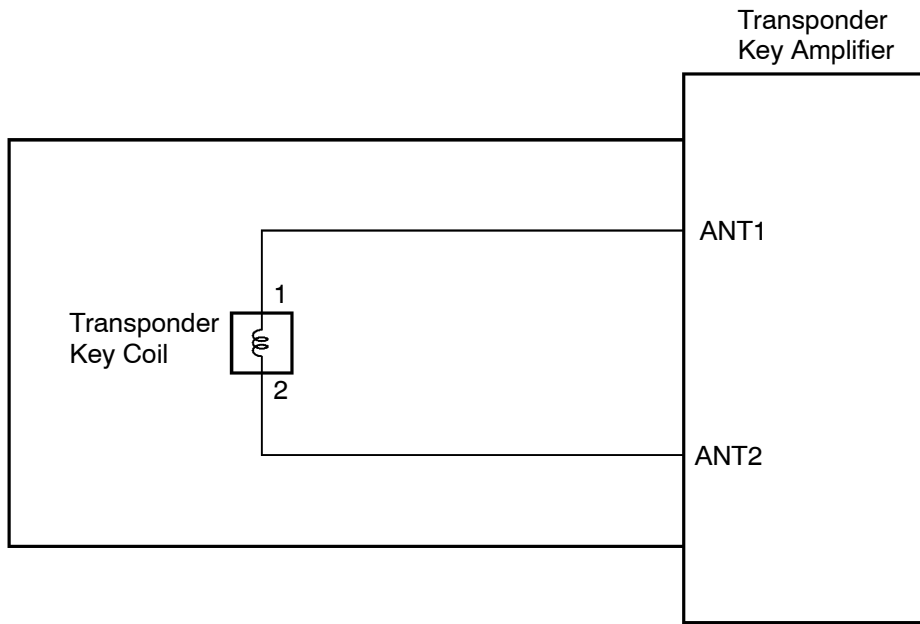
### CIRCUIT DESCRIPTION

DTC No. (See Page)	Detection Item	Trouble Area
B2798/99	Communication error	<ul style="list-style-type: none"> <li>• Key</li> <li>• Transponder Key Coil</li> <li>• Transponder Key Amplifier</li> <li>• Wire harness</li> <li>• Engine &amp; ECT ECU</li> </ul>

### WIRING DIAGRAM



RHD Models



N

**INSPECTION PROCEDURE**

1 Check transponder key coil (See page BE-201).

NG

Replace transponder key coil

OK

2 Check harness and connector between transponder key amplifier and Engine & ECT ECU.

NG

Repair or replace harness and connector

OK

3 Does the system operate normally after replacement of transponder key amplifier?

Yes

Replace transponder key amplifier.

No

Replace Engine & ECT ECU