

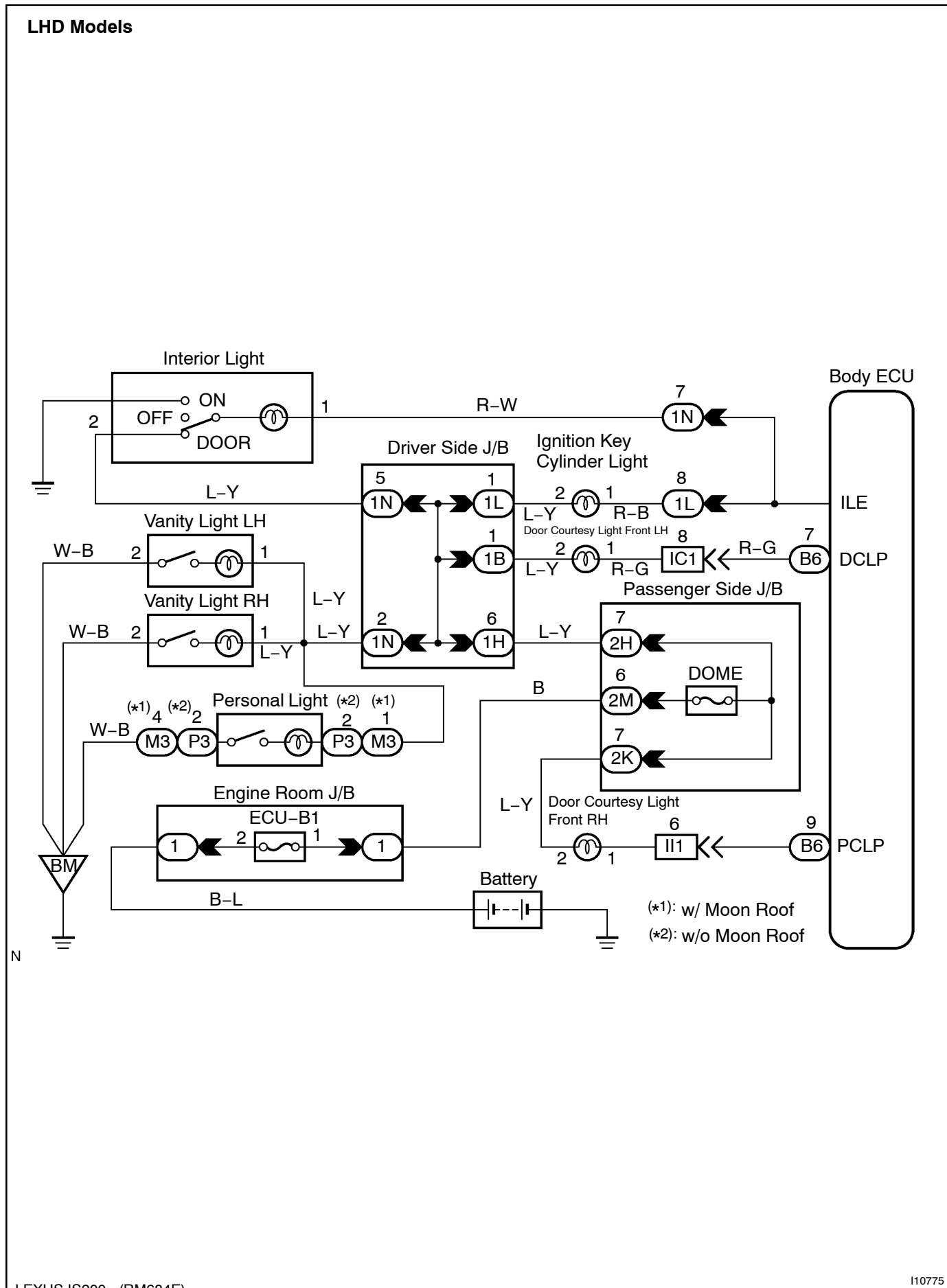
Illumination circuit

CIRCUIT DESCRIPTION

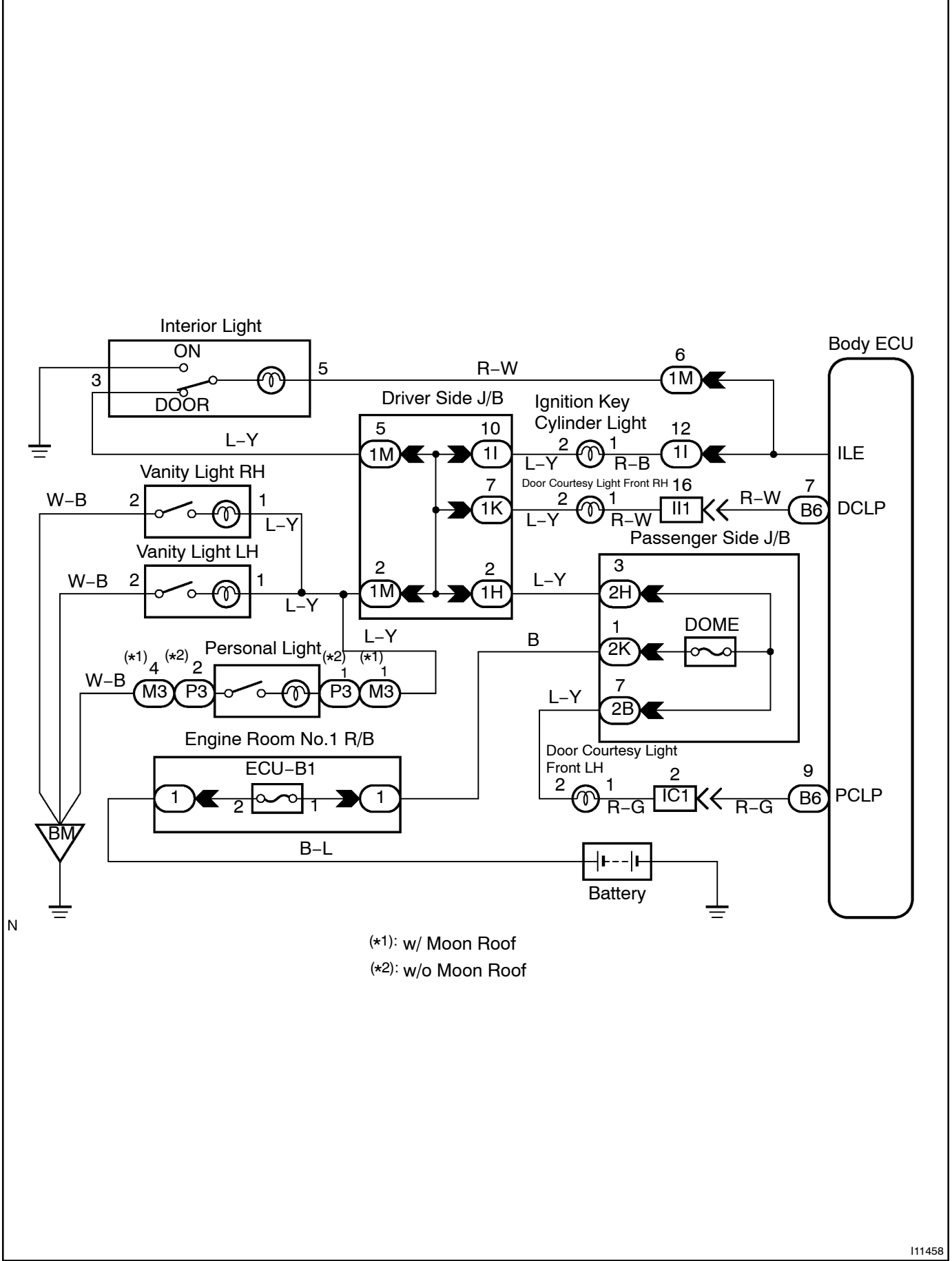
Receiving the courtesy signal from the Body ECU will make the interior light, ignition light, and courtesy light come on.

WIRING DIAGRAM

LHD Models



RHD Models



INSPECTION PROCEDURE

1 Check DOME fuse.

NG

Replace the fuse.

OK

2 Check illumination light.

NG

Replace the failure light.

OK

3 Check wireharness and connector between each illumination light and Body ECU, battery and each illumination light.

NG

Repair or replace wireharness or connector.

OK

Proceed to next circuit inspection shown on problem symptoms table (See page DI-554).