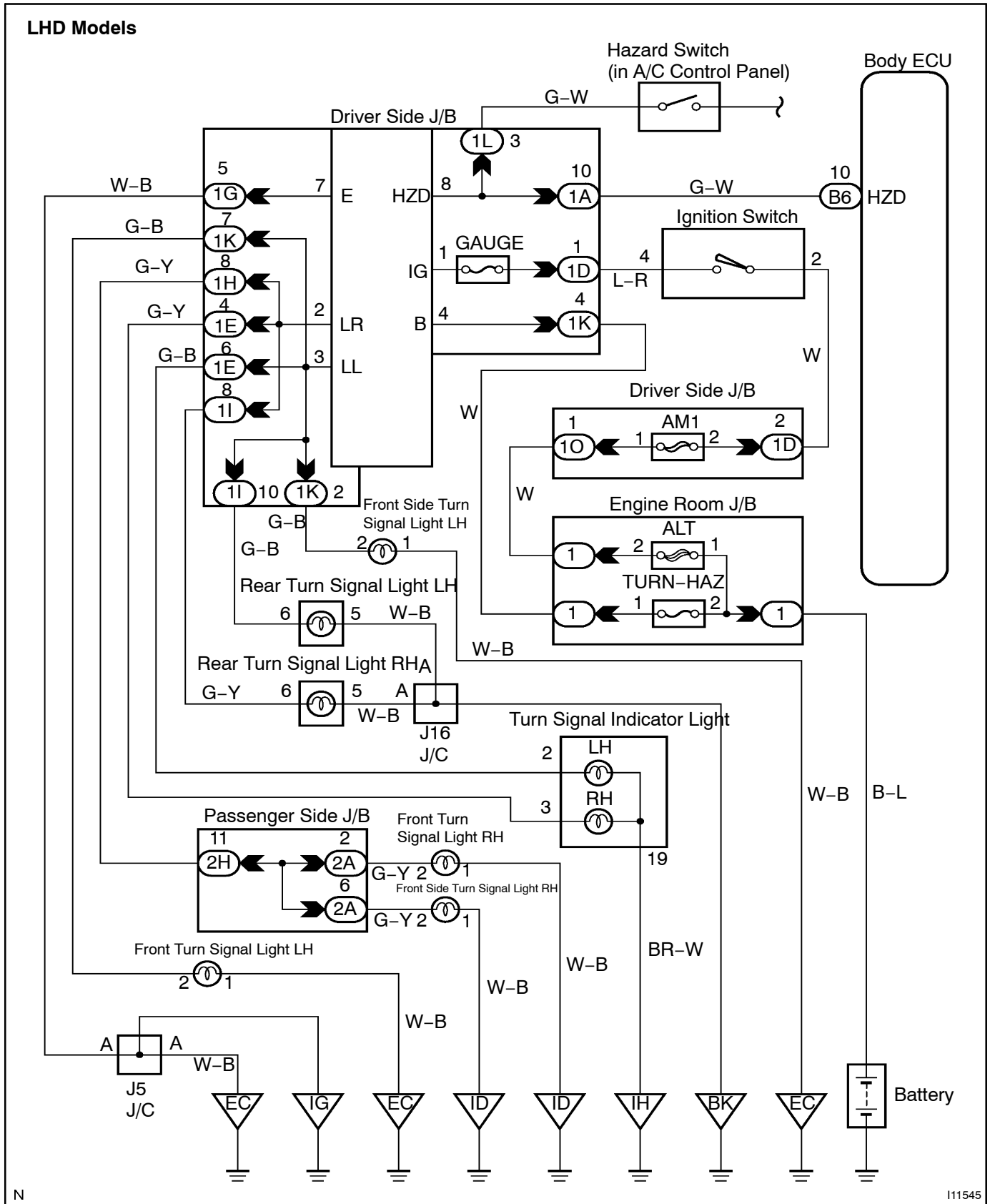


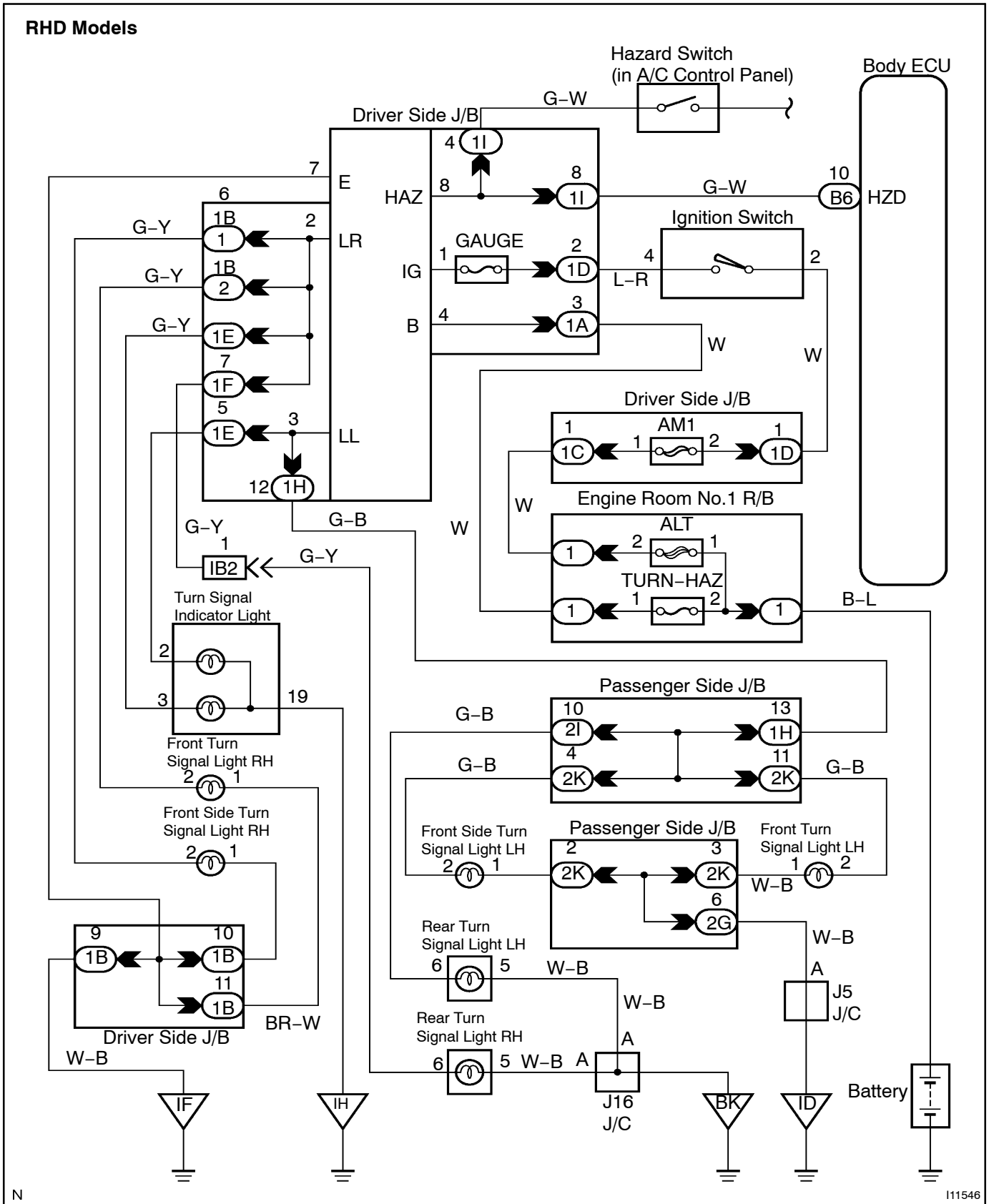
Hazard switch circuit

CIRCUIT DESCRIPTION

Body ECU activates the flasher relay during warning of the theft deterrent system and flashes the hazard. When the security operates, body ECU activates the flasher relay, however when the normal hazard switch operates, the hazard switch activates the flasher relay.

WIRING DIAGRAM





INSPECTION PROCEDURE

HINT:

In case of using the hand-held tester, start the inspection from step 1 and in case of not using the hand-held tester, start from step 2.

1 Check hazard operation using hand-held tester.

PREPARATION:

Connect the hand-held tester to the DLC 3.

CHECK:

Check that the hazard can operate in an ACTIVE TEST.

OK

Proceed to next circuit inspection shown on problem symptoms table. (See page DI-554)

NG

2 Check hazard switch (See page DI-667).

NG

Replace the hazard switch.

OK

3 Check wire harness and connector between hazard switch and Body ECU.

NG

Repair or replace wire harness or connector.

OK

Proceed to next circuit inspection shown on problem symptoms table. (See page DI-554)