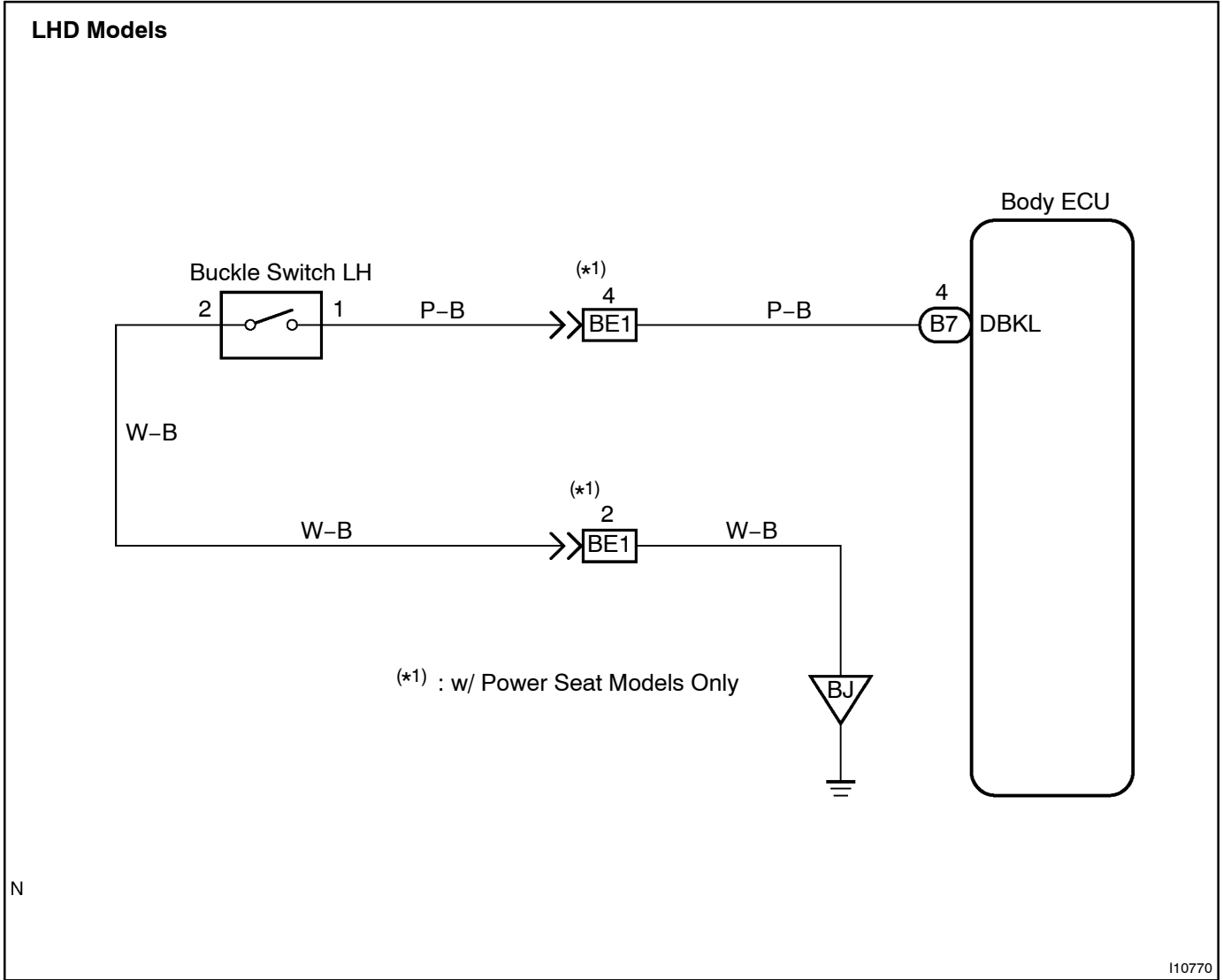
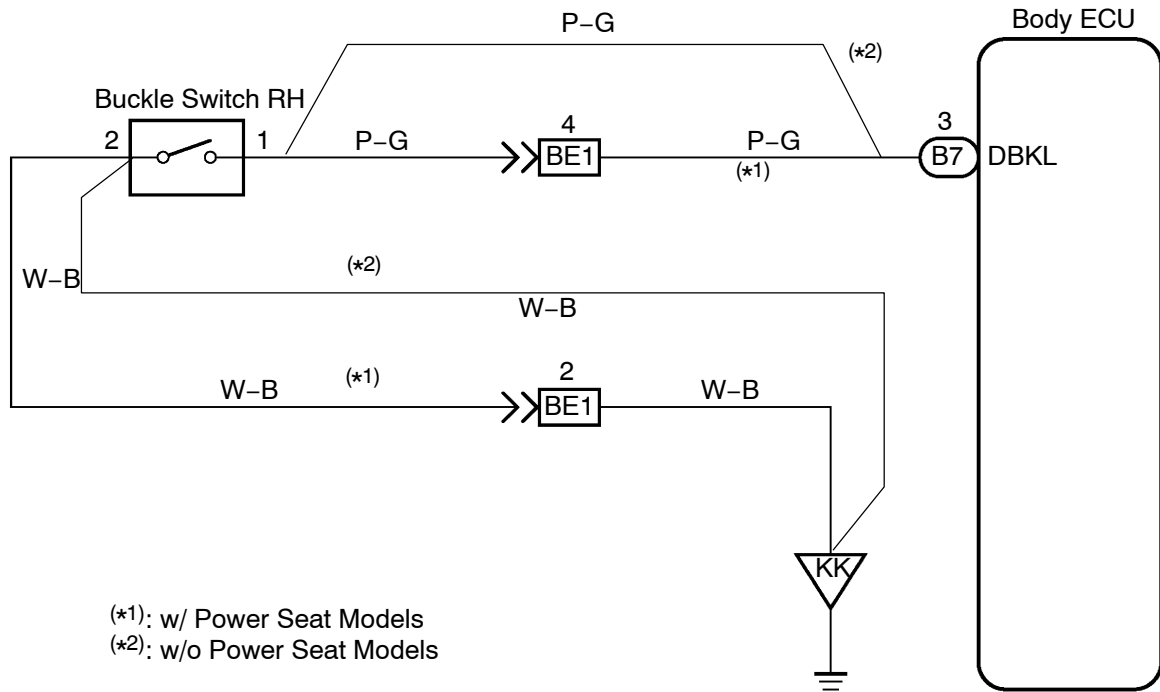


Driver buckle switch circuit

WIRING DIAGRAM



RHD Models



(*1): w/ Power Seat Models
(*2): w/o Power Seat Models

N

INSPECTION PROCEDURE

HINT:

In case of using the hand-held tester, start the inspection from step 1 and in case of not using the hand-held tester, start from step 2.

1 Check driver buckle switch using hand-held tester.

PREPARATION:

Connect the hand-held tester to the DLC3.

CHECK:

Check the driver buckle switch using DATA LIST.

OK

Proceed to next circuit inspection shown on problem symptoms table. (See page DI-554)

NG

2 Check driver buckle switch. (See page BE-83)

NG

Replace the driver buckle switch.

OK

3 Check wire harness and connector between driver buckle switch and body ground.

NG

Repair or replace wire harness or connector.

OK

Proceed to next circuit inspection shown on problem symptoms table. (See page DI-554)