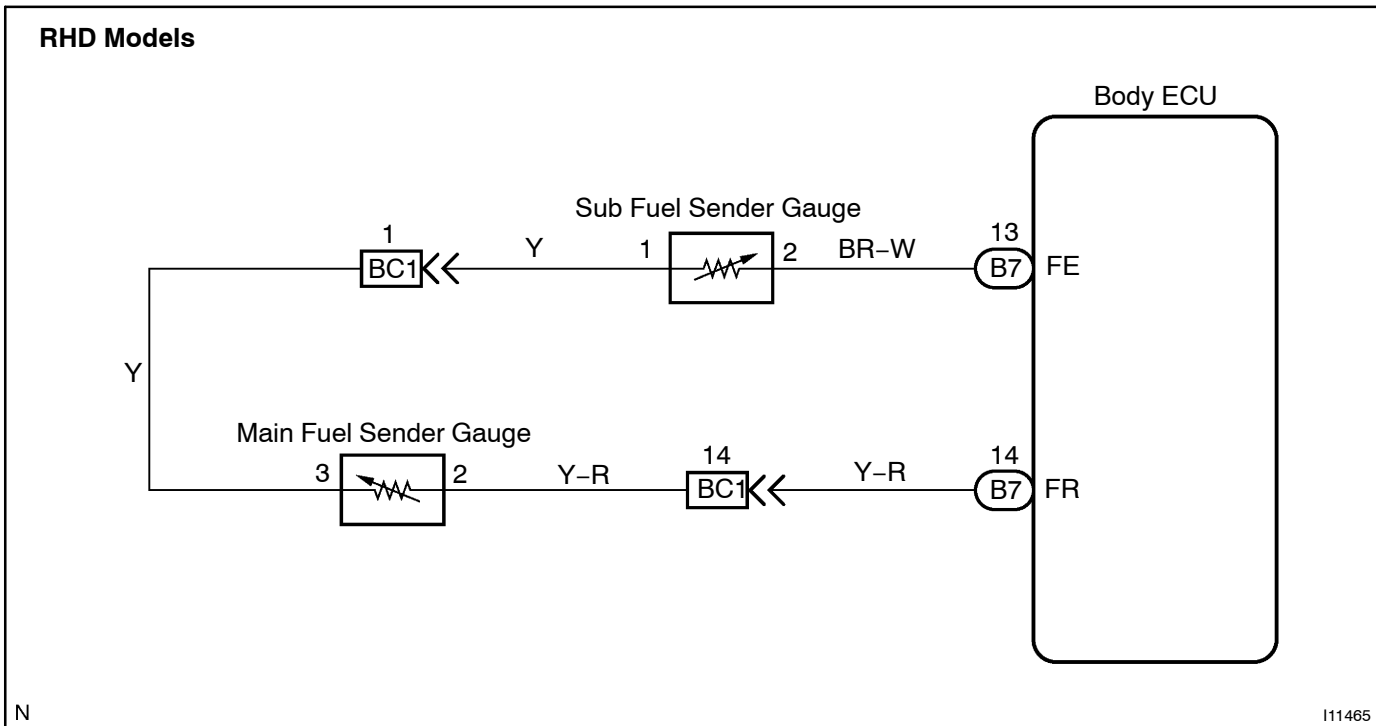
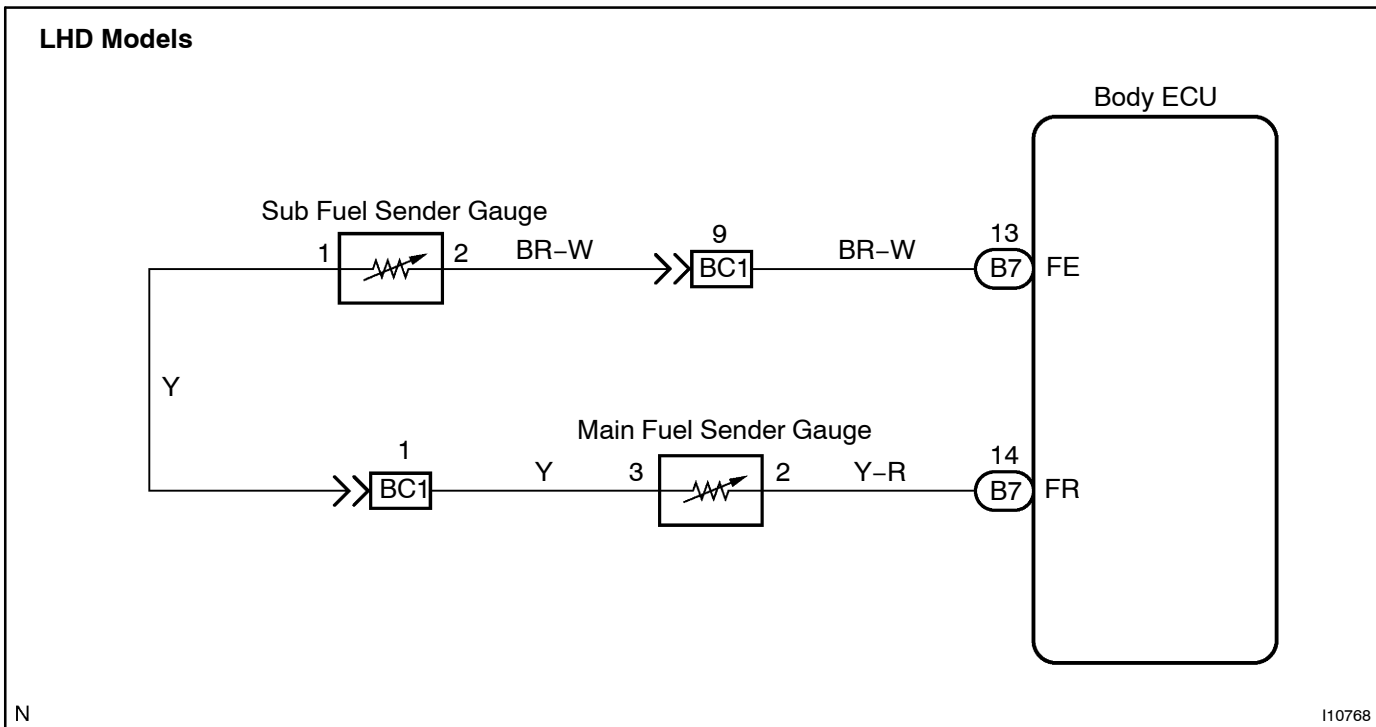


Fuel Sender gauge circuit

WIRING DIAGRAM



INSPECTION PROCEDURE

1 Check fuel sender gauge (See page BE-83).

NG

Replace the fuel sender gauge.

OK

2 Check wireharness and connector between fuel sender gauge and Body ECU.

NG

Repair or replace wireharness or connector.

OK

Proceed to next circuit inspection shown on problem symptoms table (See page DI-554).