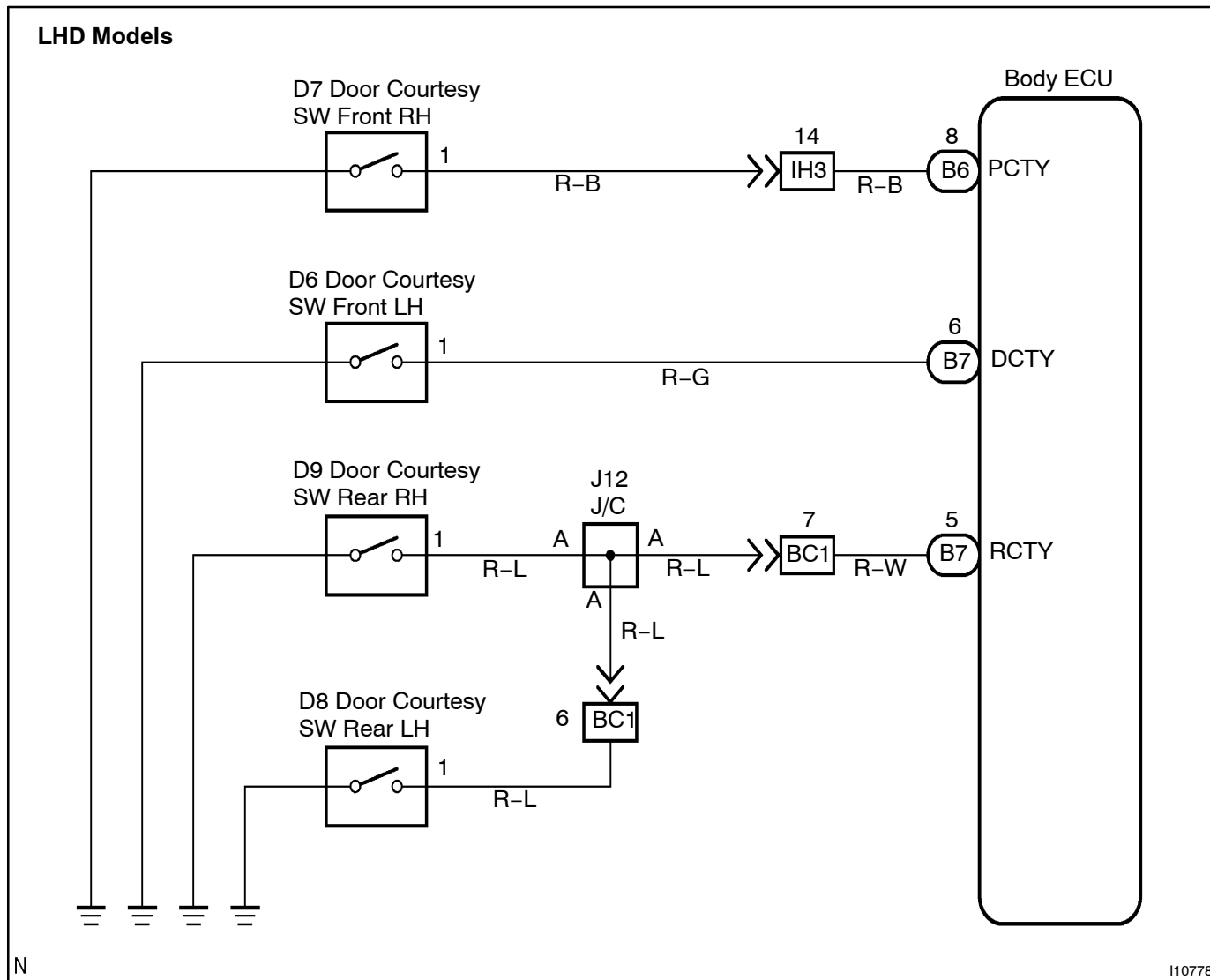


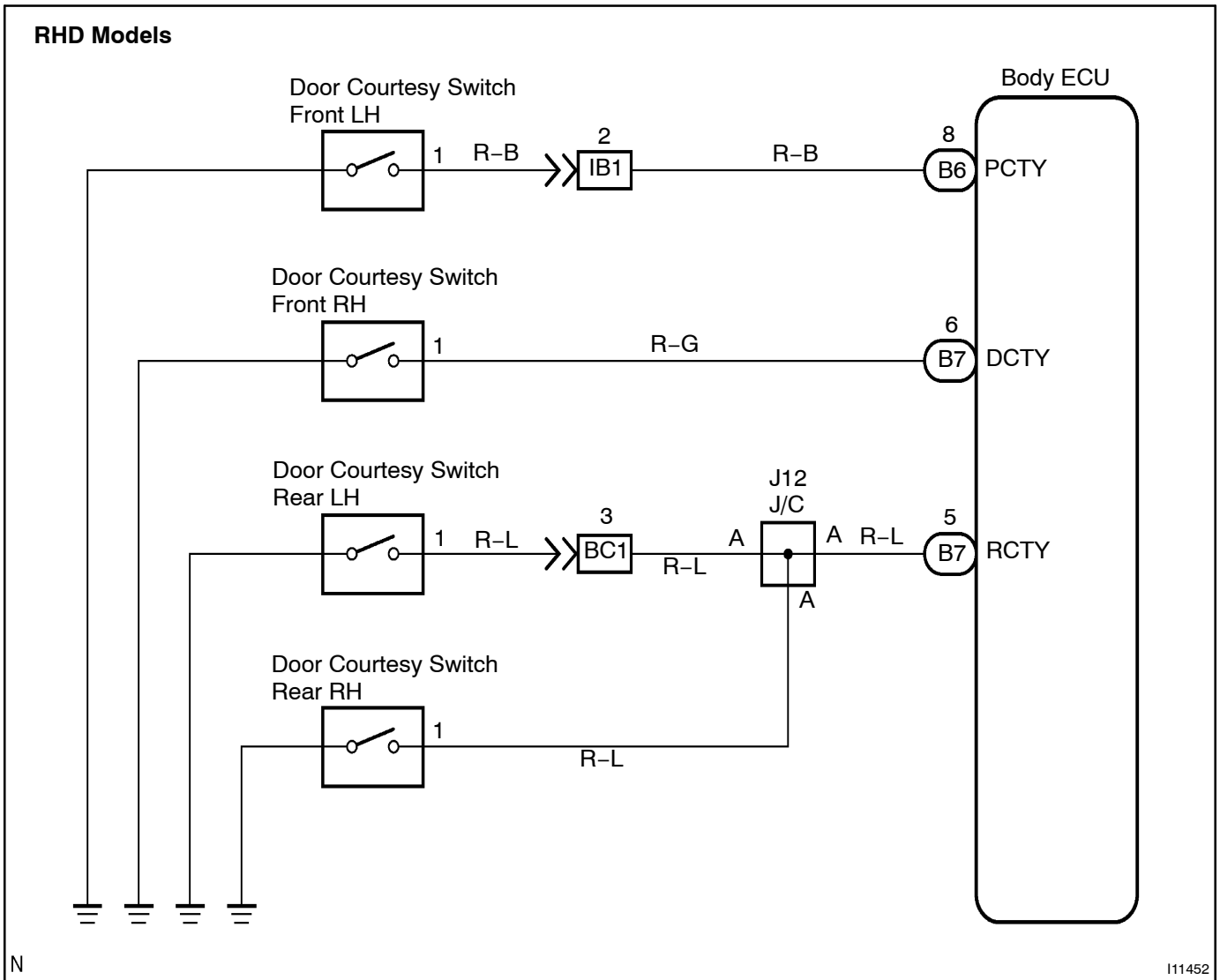
Door courtesy switch circuit

CIRCUIT DESCRIPTION

The door courtesy switch goes on when the door is opened and goes off when door is closed.

WIRING DIAGRAM





INSPECTION PROCEDURE

1 Check courtesy switch (See page BE-57).

NG

Replace the courtesy switch.

OK

2 Check that there is a grounding malfunction caused by looseness of the tighten screw.

NG

Install screw.

OK

3 Check wireharness and connector between courtesy light and body ECU, courtesy switch and body ECU.

NG

Repair or replace wireharness or connector.

OK

Proceed to next circuit inspection shown on problem symptoms table (See page DI-554).