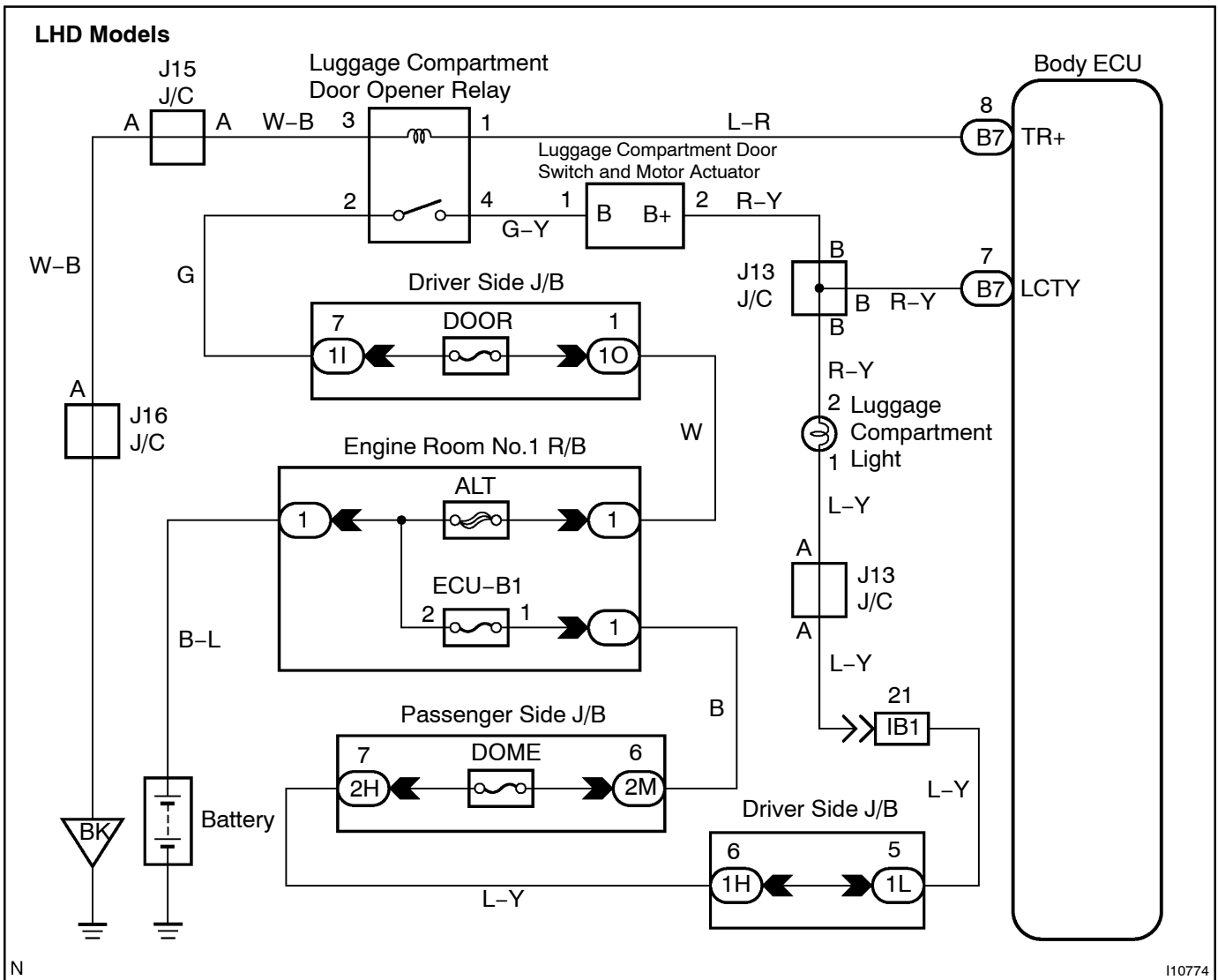


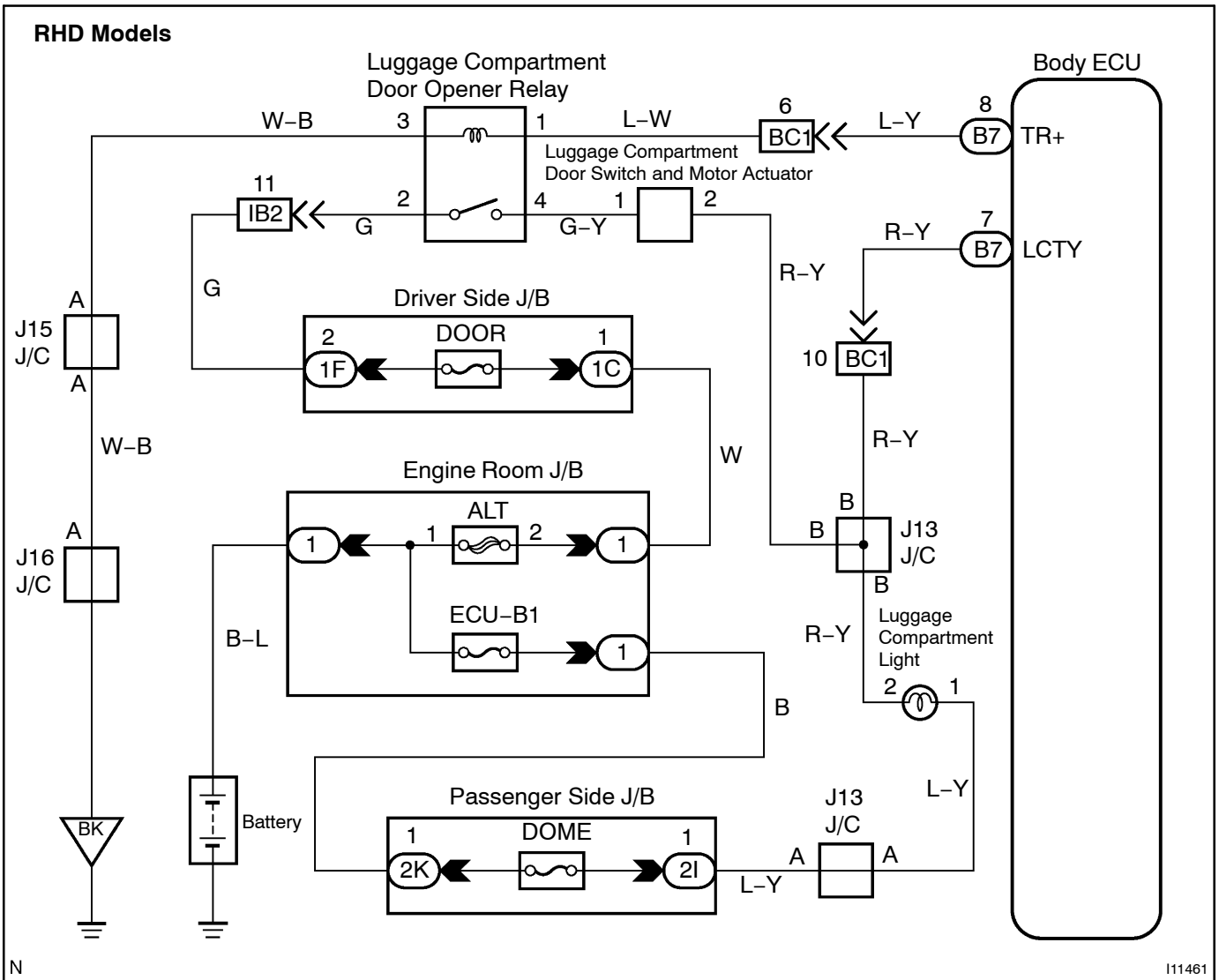
Luggage courtesy switch circuit

CIRCUIT DESCRIPTION

The luggage courtesy switch goes on when luggage compartment door is opened and goes off when luggage compartment door is closed.

WIRING DIAGRAM





N

I11461

INSPECTION PROCEDURE

HINT:

In case of using the hand-held tester, start the inspection from step 1 and in case of not using the hand-held tester, start from step 2.

1 Check luggage courtesy switch using hand-held tester.

PREPARATION:

Connect the hand-held tester to the DLC3.

CHECK:

Check the luggage courtesy switch using DATA LIST.

OK

Proceed to next circuit inspection shown on problem symptoms table. (See page DI-554)

NG

2 Check luggage courtesy switch (See page BE-57).

NG

Replace the luggage courtesy switch.

OK

3 Check wire harness and connector between luggage courtesy switch and Body ECU.

NG

Repair or replace wire harness or connector.

OK

Proceed to next circuit inspection shown on problem symptoms table. (See page DI-554)