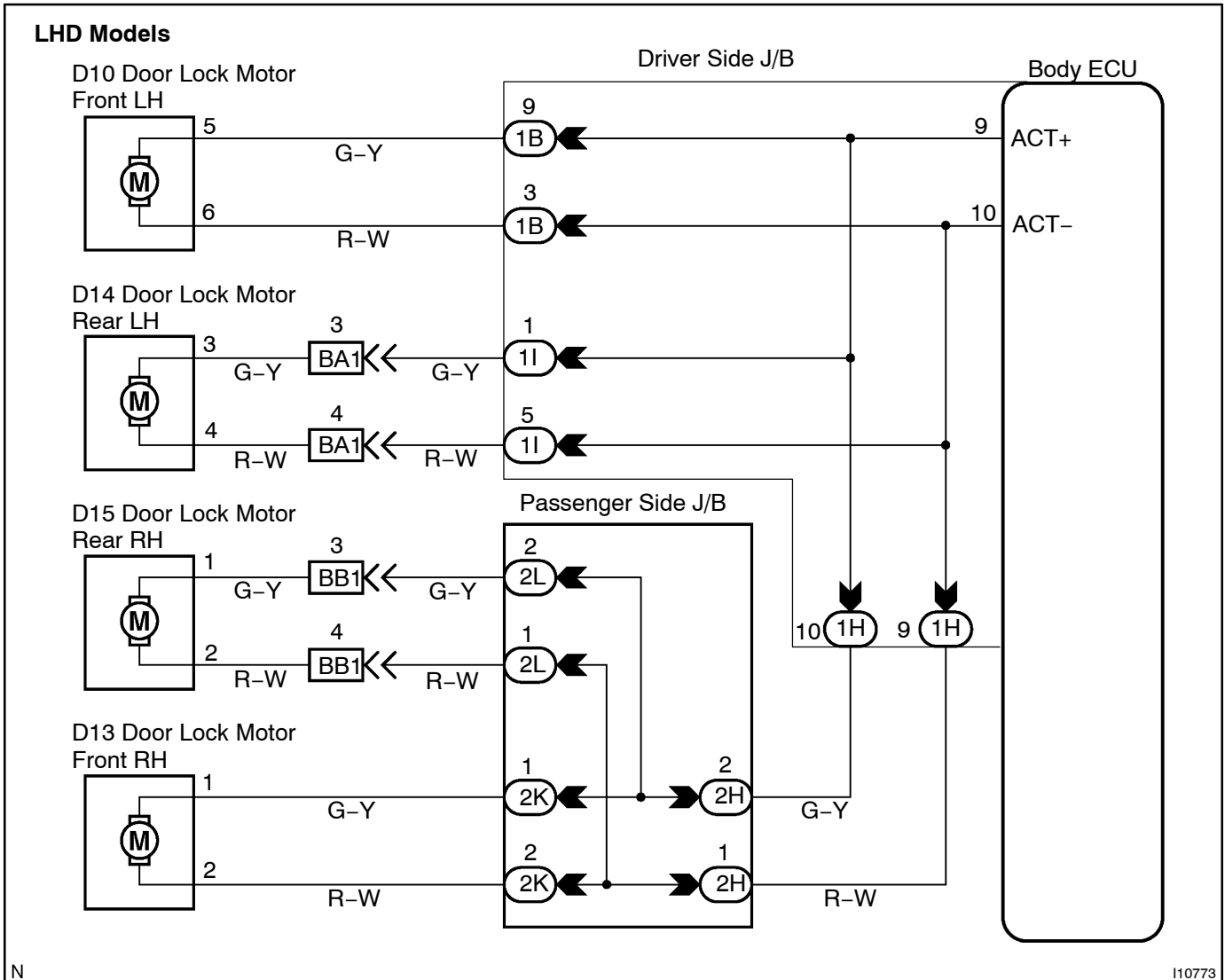
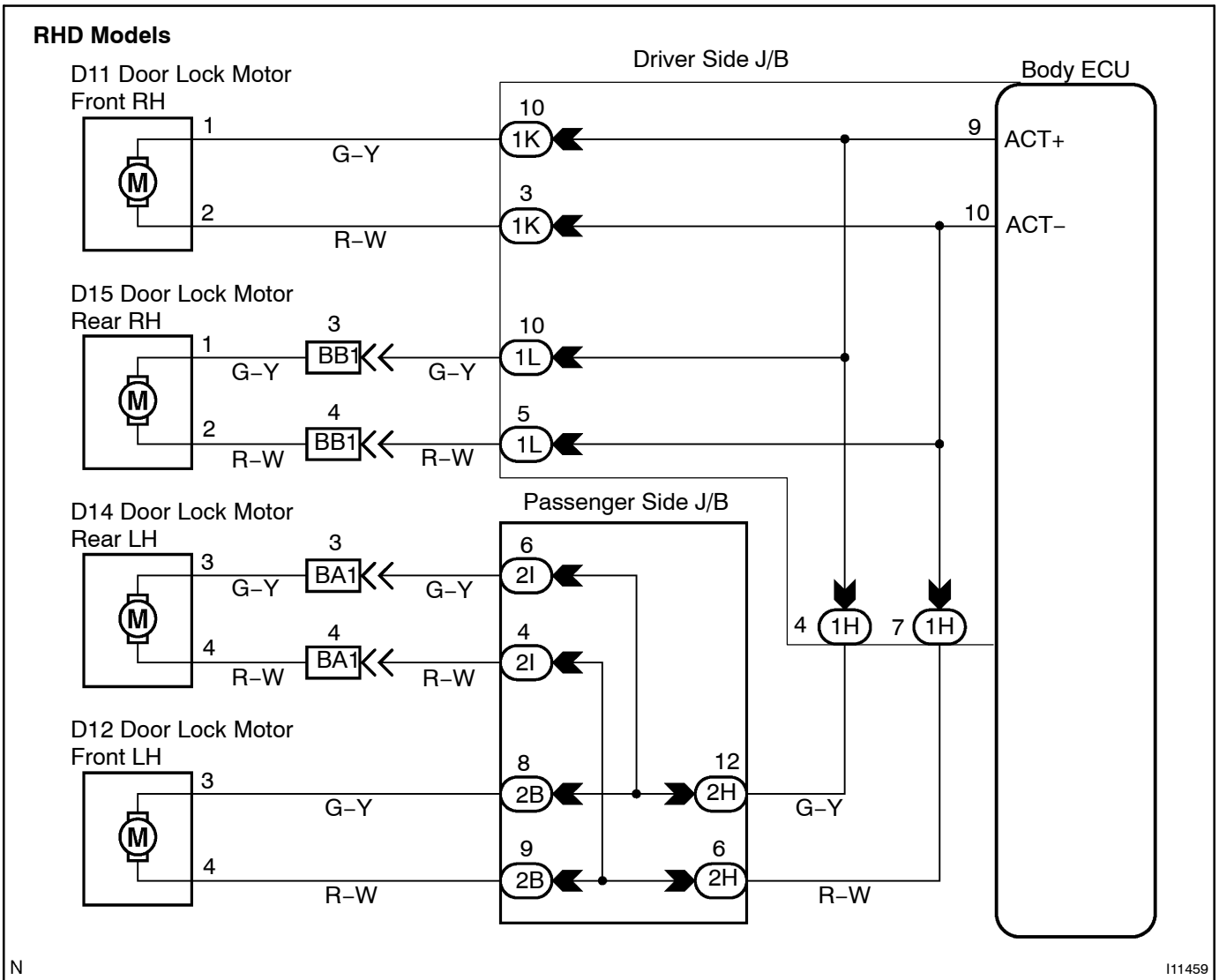


Door lock motor circuit

WIRING DIAGRAM





INSPECTION PROCEDURE

1 Check door lock motor (See page BE-114).

NG

Replace the door lock motor.

OK

2 Check wireharness and connector between door lock motor and body ECU.

NG

Repair or replace wireharness or connector.

OK

Proceed to next circuit inspection shown on problem symptoms table (See page DI-554).