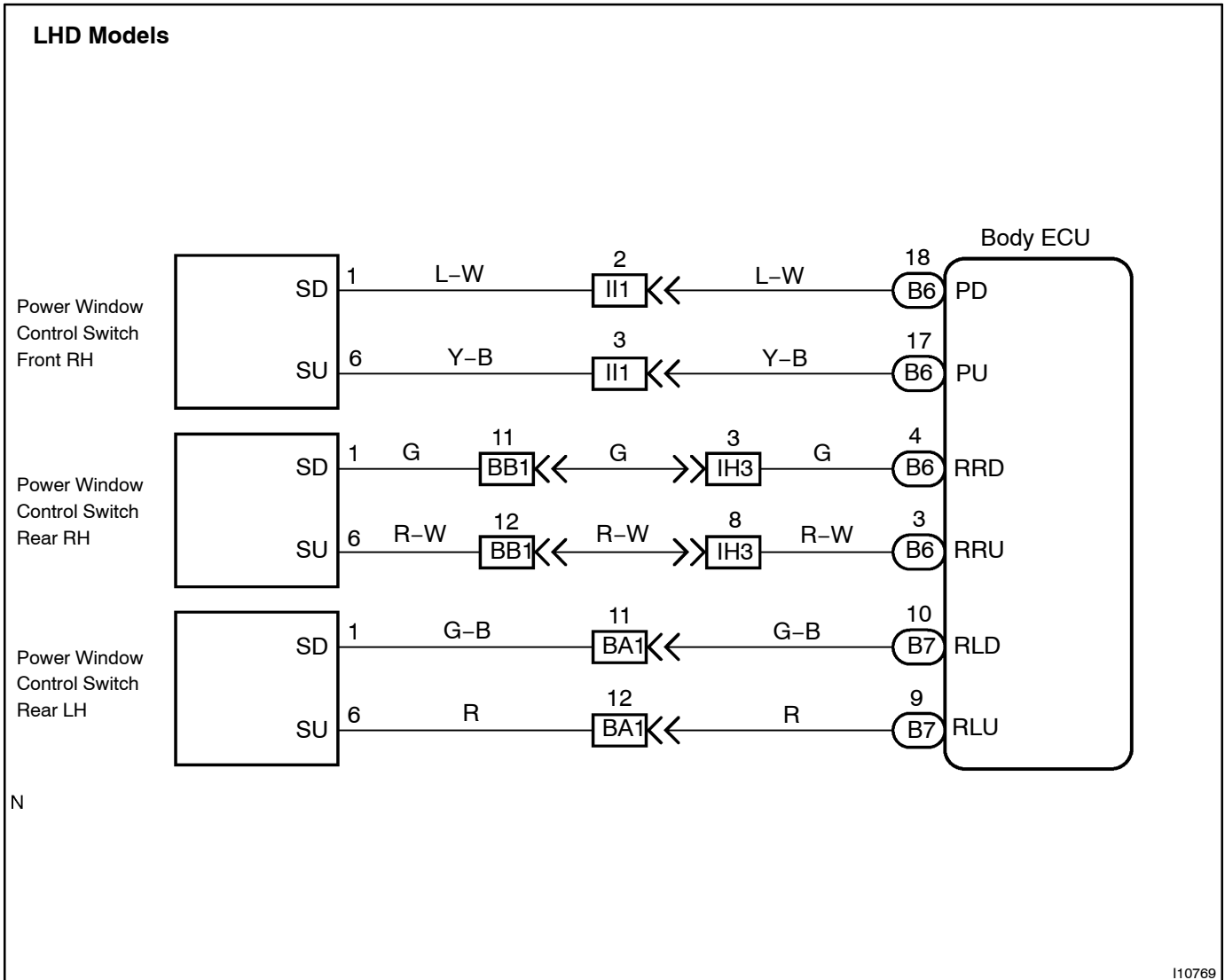
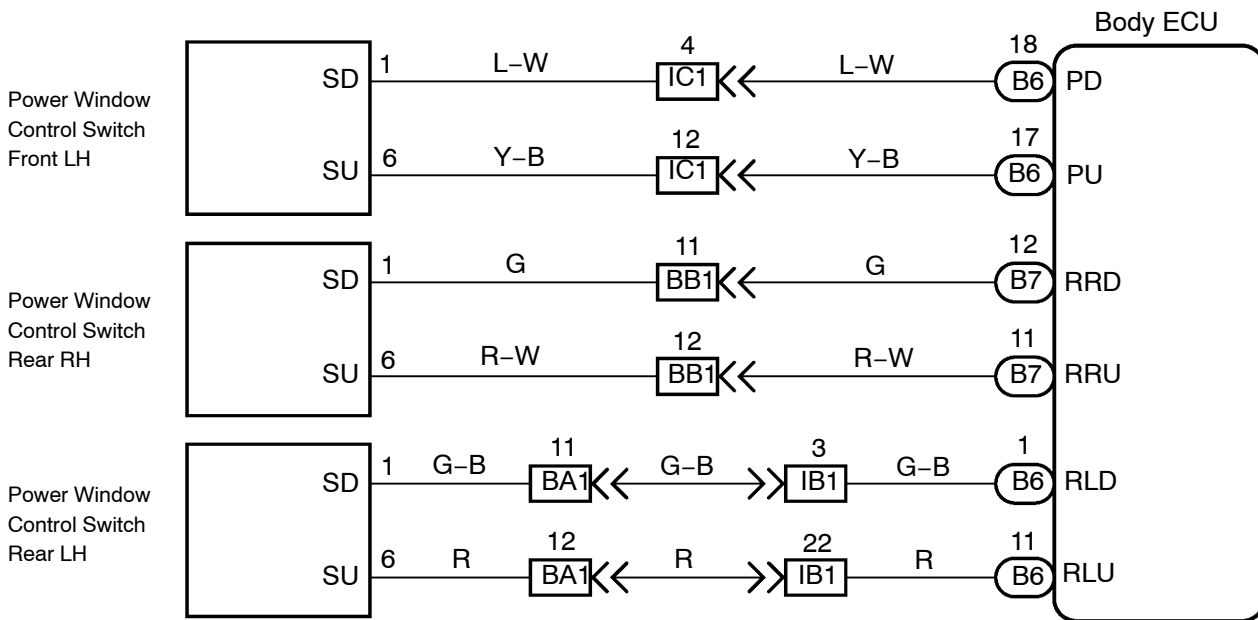


Power window switch circuit

WIRING DIAGRAM



RHD Models



N

INSPECTION PROCEDURE

1 Check the power window switch. (See page BE-109)

NG

Replace the power window switch.

OK

2 Check wireharness and connector between power window switch and body ECU.

NG

Repair or replace wireharness or connector.

OK

3 Check wireharness and connector between power window switch and body ground.

NG

Repair or replace wireharness or connector.

OK

Proceed to next circuit inspection shown on problem symptoms table (See page DI-554).