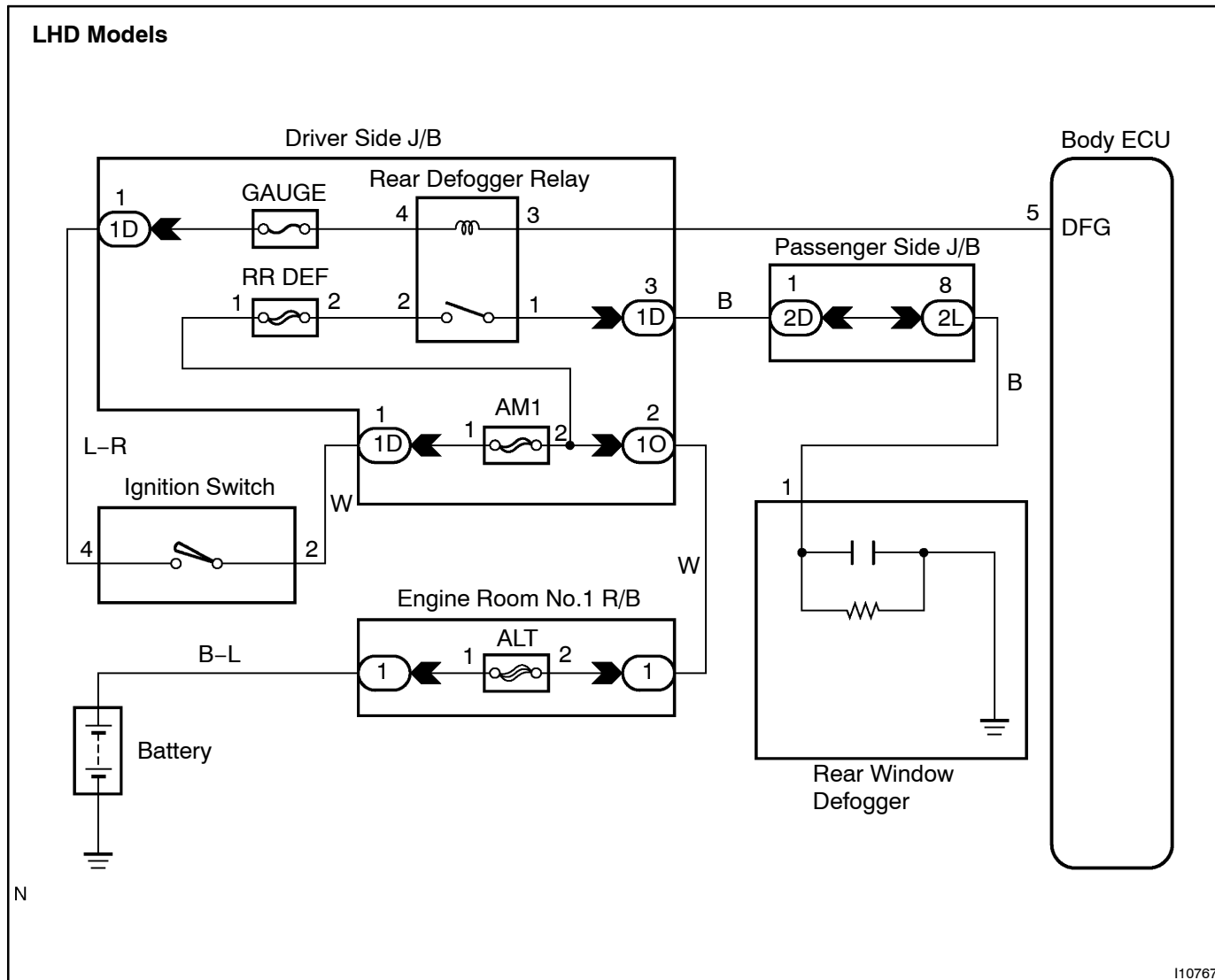


Front Deicer and Rear defogger relay circuit

WIRING DIAGRAM



I10767

INSPECTION PROCEDURE

1 Check rear defogger relay (See page BE-96).

NG

Replace the rear defogger relay.

OK

2 Check front defogger relay (See page BE-96).

NG

Replace the rear defogger relay.

OK

3 Check wireharness and connector between rear defogger relay and body ECU, front defogger relay and body ECU.

NG

Repair or replace wireharness or connector.

OK

Proceed to next circuit inspection shown on problem symptoms table (See page DI-554).