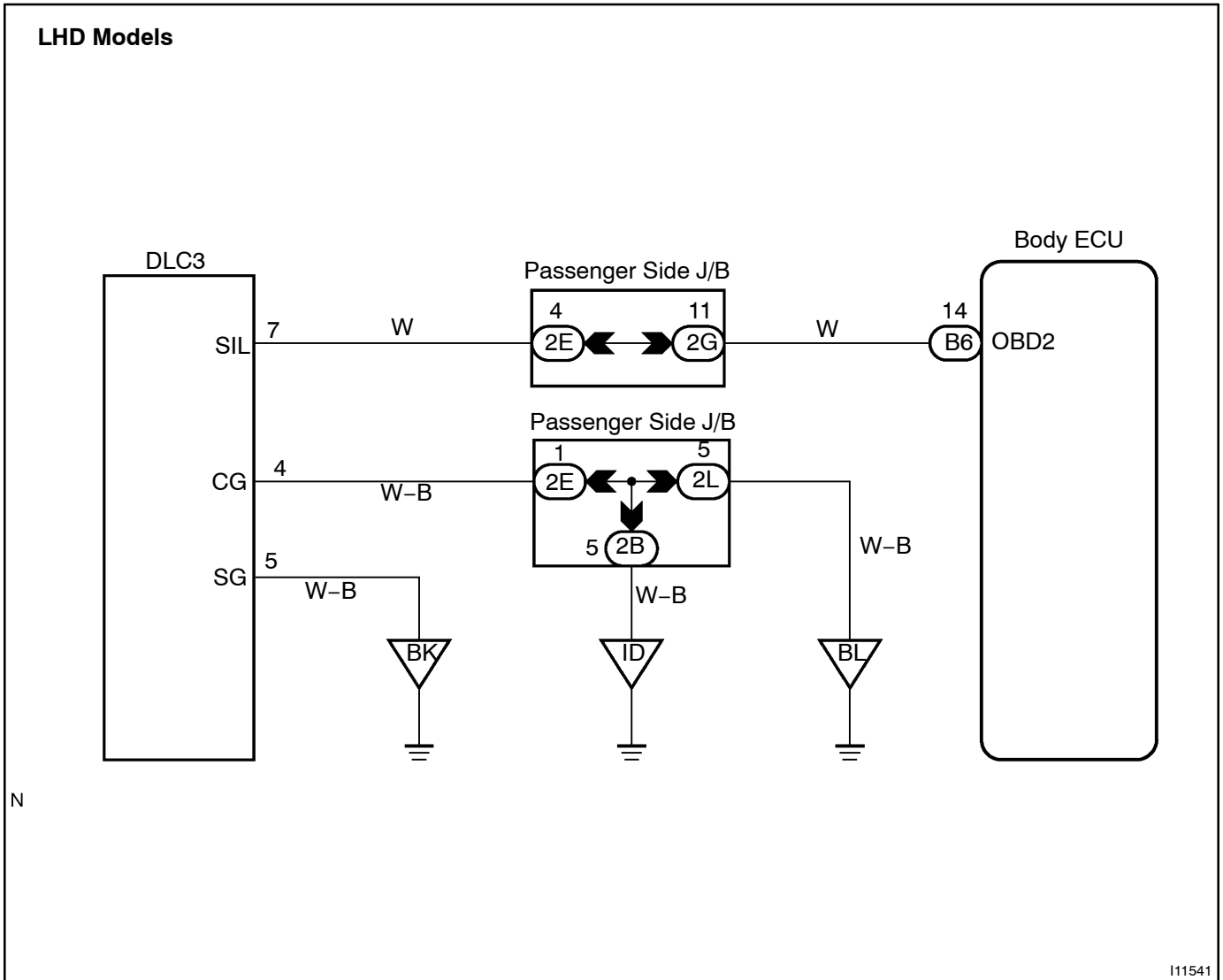


Diagnosis Circuit

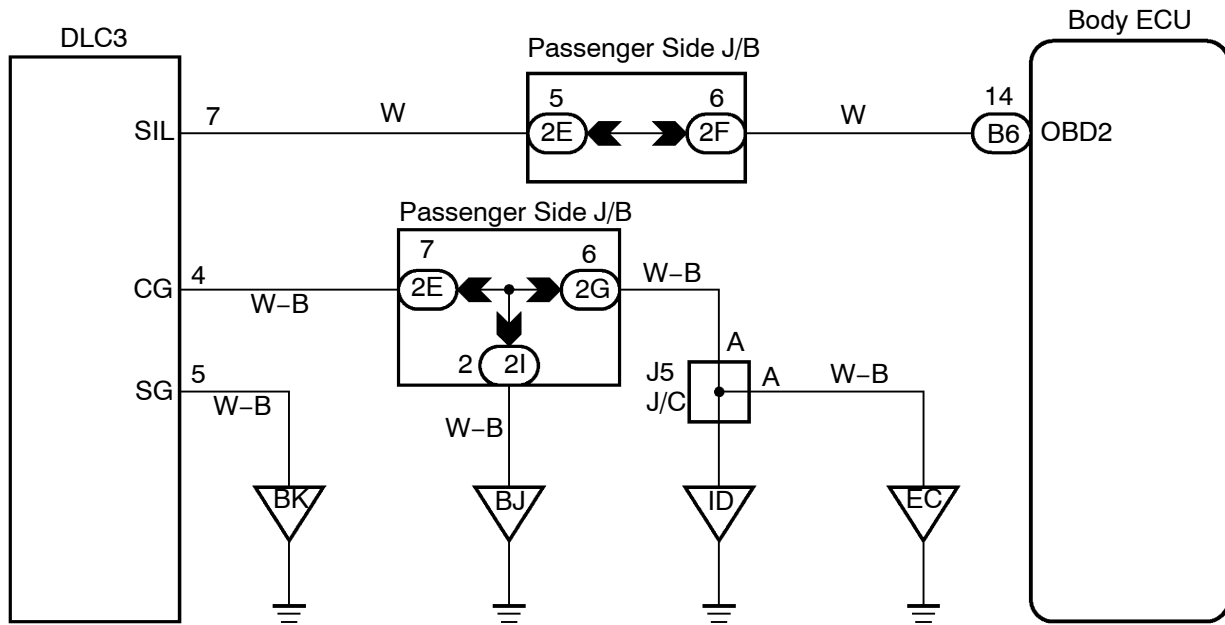
CIRCUIT DESCRIPTION

This circuit sends a signal to the ECU that DTC output is required.

WIRING DIAGRAM



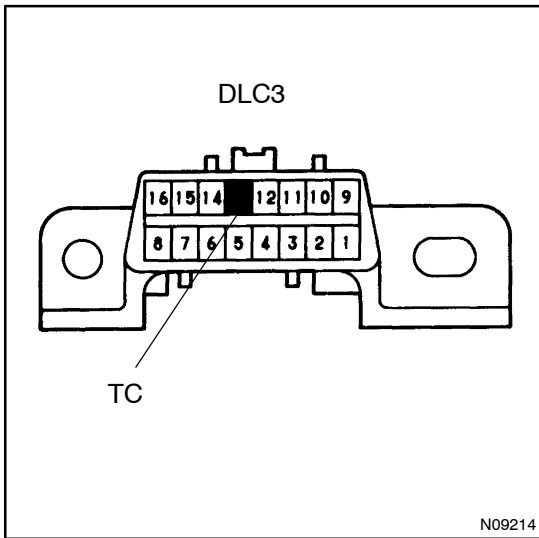
RHD Models



N

INSPECTION PROCEDURE

- 1 Check voltage between terminals TC and E₁ of DLC3.

**PREPARATION:**

Turn ignition switch ON.

CHECK:

Measure voltage between terminals TC and E₁ of DLC3.

OK:

Voltage: 10 - 14 V

OK

Proceed to next circuit inspection shown in problem symptom table (See page DI-554).

NG

- 2 Check harness and connector between body ECU and DLC3, DLC3 and body ground (See page N-32).

NG

Repair or replace harness or connector.

OK

Check and replace Body ECU
(See page N-32).