

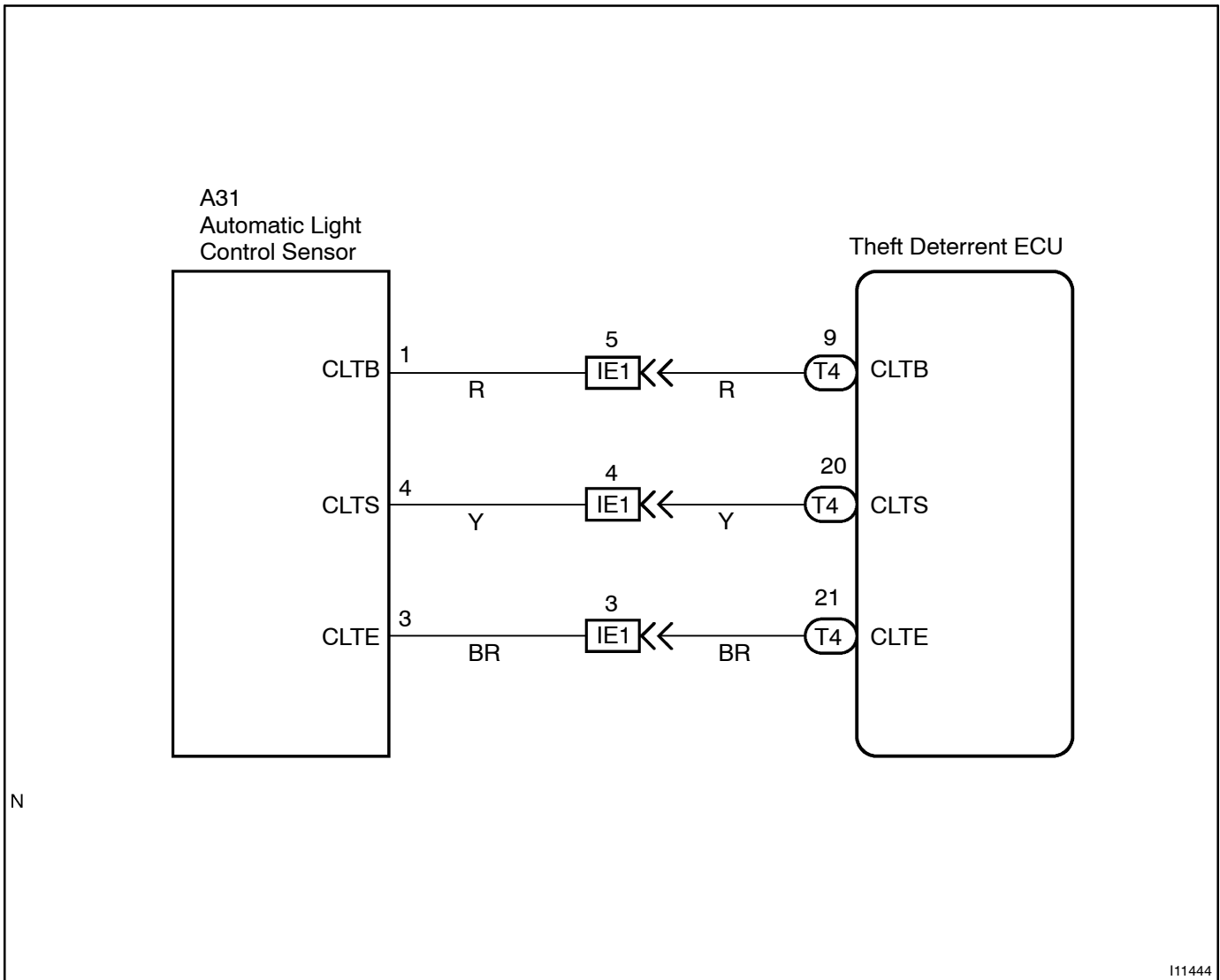
DTC	B1244 / 44	Light sensor circuit malfunction
------------	-------------------	---

CIRCUIT DESCRIPTION

This DTC is output when failure of light sensor circuit is detected.

DTC No.	DTC Detecting Condition	Trouble Area
B1244/44	<ul style="list-style-type: none"> • Malfunction of light sensor • Open or short of light sensor circuit 	<ul style="list-style-type: none"> • Light sensor • Wireharness • Theft deterrent ECU

WIRING DIAGRAM



INSPECTION PROCEDURE

1 Check light sensor (See page BE-30).

NG

Replace the light sensor.

OK

2 Check wireharness and connector between light sensor and theft deterrent ECU.

NG

Repair or replace wireharness or connector.

OK

Replace the theft deterrent ECU.