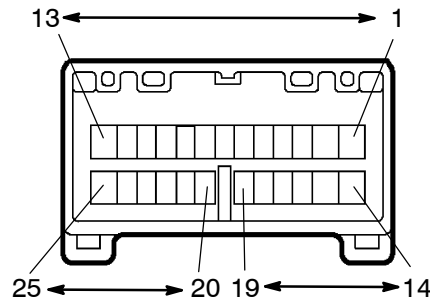


TERMINALS OF ECU

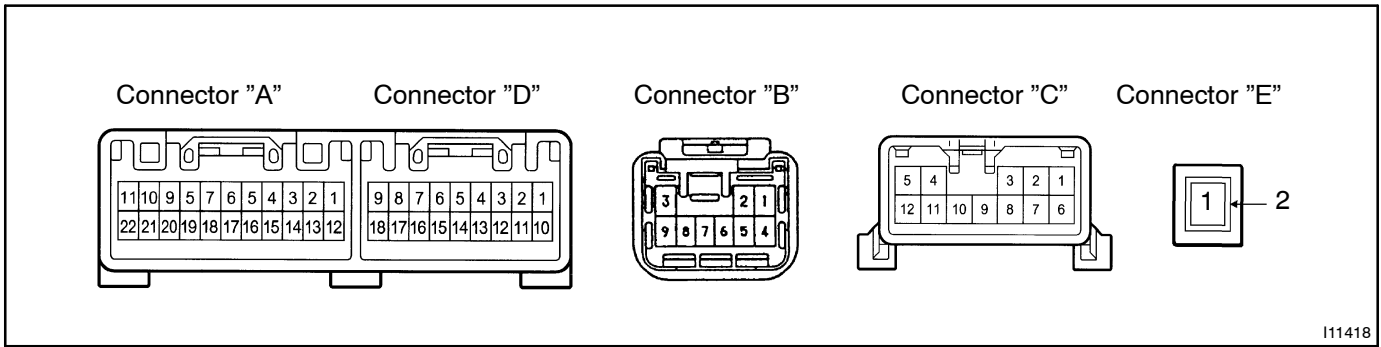
1. MULTI DISPLAY



I11419

Terminals (Symbols)	Condition	Specified value	Problem symptom when open circuit is detected.
			Problem symptom when short circuit is detected.
+B - GND1 (1 - 22)	Constant	Battery voltage	Screen is in disorder.
ST1 - GND1 (3 - 22)	Ignition switch position START	Battery voltage	-
G - GND1 (4 - 22)	Diagnosis display check screen is white.	Using an oscilloscope *2	Screen color turns to pink.
SYNC - GND1 (5 - 22)	Navigation screen is display.	Using an oscilloscope *1	Screen noise or other types of noise occur.
VG - GND1 (6 - 22)	Constant	Continuity	Normal.
DTX+ - Body ground (9 - Body ground)	Ignition switch position ACC	Approx. 2.5 V	Screen is in display. Navigation system does not operate.
RE1 - GND1 (10 - 22)	Ignition switch position ACC	Approx. 3 V	Controller does not operate.
SGD1 - Body ground (12 - Body ground)	Constant	Continuity	Normal.
ACC - GND1 (14 - 22)	Ignition switch position ACC	Battery voltage	Screen is in disorder Fuse is blown.
R - GND1 (16 - 22)	Diagnosis display check screen is white.	Using an oscilloscope *2	Screen color turns to light blue.
B - GND1 (17 - 22)	Ignition switch position ACC	Using an oscilloscope *2	Screen color turns to yellow.
VR - GND1 (18 - 22)	Constant	Approx. 2.5 V	Screen is in disorder. Navigation system does not operate.
GND1 - Body ground (22 - Body ground)	Diagnosis display check screen is white.	Continuity	Normal.
RE2 - GND1 (24 - 22)	Constant	0 V	Screen is in disorder.
BGND - Body ground (25 - Body ground)	Constant	Continuity	Normal.

2. NAVIGATION ECU



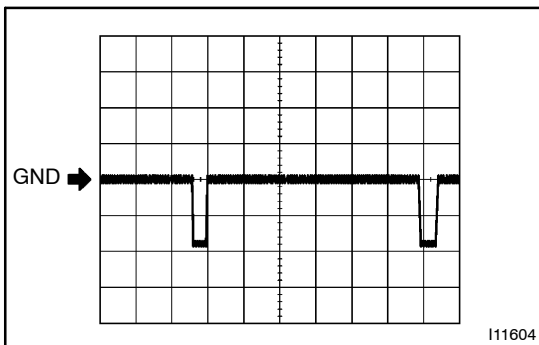
Terminals (Symbols)	Condition	Specified value	Problem symptom when open circuit
			Problem symptom when short circuit
A1 - B6 (B-TV - GND1)	Constant	Battery voltage	Screen is in disorder. Fuse is blown.
A2 - B6 (ILL - GND1)	Light control switch position TAIL or HEAD	Battery voltage	OPEN/TILT switch and control switch illumination does not light up. Fuse is blown.
A3 - B6 (G - GND1)	Diagnosis display check screen is while	Using an oscilloscope *2	Screen color turns to pink.
A4 - B6 (SYNC - GND1)	Diagnosis display check screen is while	Using an oscilloscope *1	Screen is in disorder.
A5 - Body ground (VG - GND1)	Constant	Continuity	Normal
A8 - Body ground (DTX+ - GND1)	Ignition switch position ACC.	Approx. 2.5 V	Screen noise or other types of noise occur. Navigation system does not oper- ate.
A11 - Body ground (GND2 - Body ground)	Constant	Continuity	Normal.
A13 - B6 (R - GND1)	Diagnosis display check screen is while	Using an oscilloscope *2	Screen color turns to light blue.
A14 - B6 (B - GND1)	Diagnosis display check screen is while	Using an oscilloscope *2	Screen color turns to light yellow.
A15 - Body ground (VR - Body ground)	Constant	Continuity	Normal
A19 - Body ground (DTX- - Body ground)	Ignition switch position ACC.	Approx. 2.5 V	Screen noise or other types of noise occur. Navigation system does not oper- ate.
A22 - B6 (RE2 - GND1)	Diagnosis display check screen is while	0 V	Screen is in disorder.
B2 - B6 (TC - GND1)	Ignition switch position OFF and connect terminals TC and CG of DLC3.	Continuity	Screen ins in disorder. Constant screen is normal.
B3 - B6 (+B - GND1)	Constant	Battery voltage	Screen is in disorder. Fuse is blown.

DIAGNOSTICS – LEXUS NAVIGATION SYSTEM

B6 – Body ground (GND1 – Body ground)	Constant	Continuity	Normal.
B7 (SPD)	Input signal displayed	–	Navigation operation is available during driving, or a cursor on present site does not move.
B9 – B6 (ACC – GND1)	Ignition switch position ACC.	Battery voltage	Screen is in disorder. Fuse is blown.
C1 – B6 (AUO+ – GND1)	Speaker sounding.	5 – 7 V	Driver side speaker does not sound.
C2 – B6 (AUI– – GND1)	Speaker sounding.	5 – 7 V	Driver side speaker does not sound.
C6 – B6 (AUO– – GND1)	Speaker sounding.	5 – 7 V	Driver side speaker does not sound.
C7 – B6 (AUI– – GND1)	Speaker sounding.	5 – 7 V	Diver side speaker does not sound.
C9 (MUTE)	Speaker sounding.	–	Screen noise or other types of noise occur.
			Driver side speaker does not sound.
C10 (REV)	Input signal display.	–	–
D4 (TX5+)	System checking	–	Screen is in disorder.
			Navigation system does not operate.
D13 (TX5–)	System checking	–	Screen is in disorder.
			Navigation system does not operate.

3. NAVIGATION CONTROLLER HOLDER

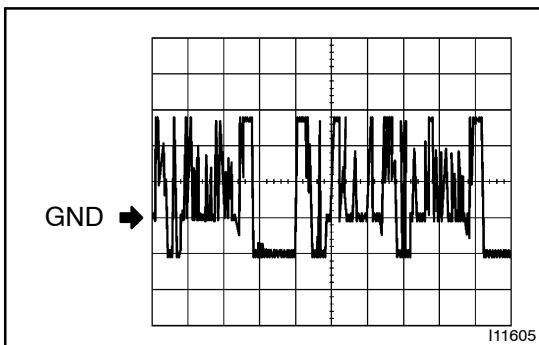
Terminals (Symbols)	Condition	Specified value	Problem symptom when open circuit
			Problem symptom when short circuit
GND - Body ground (1 - Body ground)	Constant	Continuity	Normal.
TX- - Body ground (2 - Body ground)	Constant	Continuity	Normal.
TX+ - TX- (3 - 2)	Ignition switch position ACC	Approx. 3 V	Controller does not operate.
ILL+ - GND (4 - 1)	Light control switch position FLASH or HI	Battery voltage	Illumination light does not light up. Fuse is blown.
ACC - GND (5 - 1)	Ignition switch position ACC	Battery voltage	Controller does not operate. Fuse is blown.

**Oscilloscope**

Wave *1

HINT:

- Terminal SYNC, EXSYNG ↔ GND1
- Gauge set 500 mV/DIV 10 μs/DIV
- Condition: Screen is display



Wave *2

HINT:

- Terminal R, G, B, E*-R, E*-G, EX-B ↔ GND1
- Gauge set 200 mV/DIV 10 μs/DIV
- Condition: Screen changing