

## CIRCUIT INSPECTION

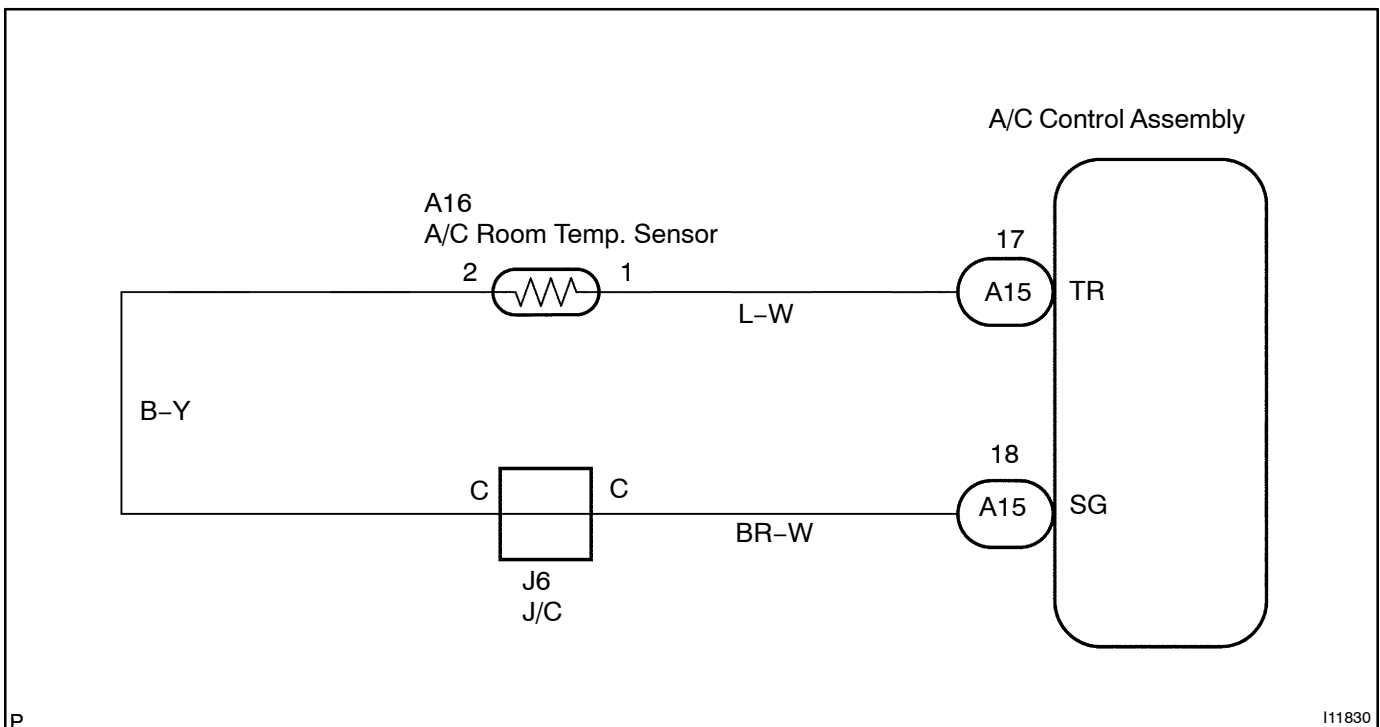
<b>DTC</b>	<b>B1411</b>	<b>Room Temperature Sensor Circuit</b>
------------	--------------	--

## CIRCUIT DESCRIPTION

This sensor detects the temperature inside the cabin and sends the appropriate signals to the A/C control assembly.

DTC No.	Detection Item	Trouble Area
B1411	Open or short in room temperature sensor circuit.	<ul style="list-style-type: none"> <li>• Room temperature sensor.</li> <li>• harness or connector between room temperature sensor and A/C control assembly.</li> <li>• A/C control assembly.</li> </ul>

## WIRING DIAGRAM



P

I11830

## INSPECTION PROCEDURE

### HINT:

In case of using the hand-held tester, start the inspection step 1 and in case of not using the hand-held tester, start from step 2.

1 Check room temp. sensor using hand-held tester.

### PREPARATION:

Connect the hand-held tester to the DLC3.

### CHECK:

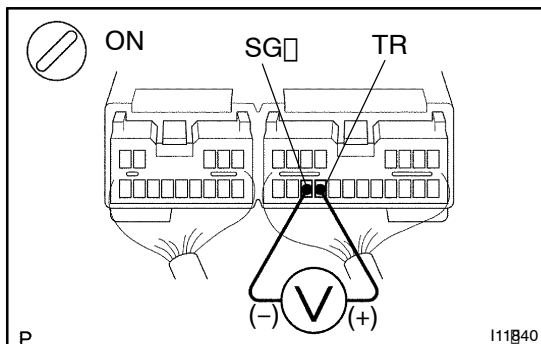
Check the room temp. sensor using DATA LIST.

OK

Check and replace A/C control assembly.

NG

2 Check voltage between terminals TR and SG of A/C control assembly connector.



### PREPARATION:

Remove A/C control assembly with connectors still connected.

### CHECK:

- Turn ignition switch to ON.
- Measure voltage between terminals TR and SG of A/C control assembly connector at each temperature.

### OK:

#### Voltage

at 25°C (77°F) 1.8 - 2.2V

at 40°C (104°F) 1.2 - 1.6V

### HINT:

As the temperature increases, the voltage decreases.

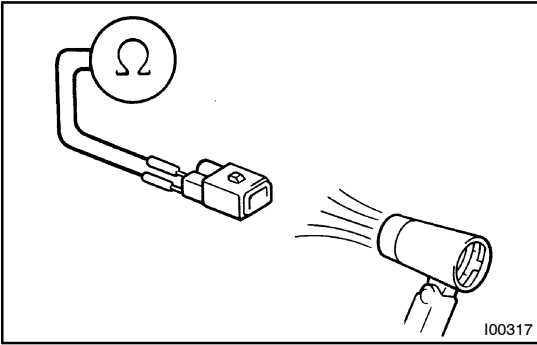
NG

Go to step 3.

OK

Proceed to next circuit inspection shown on problem symptoms table (See page DI-674). However, if DTC B1411 is displayed, check and replace A/C control assembly.

### 3 Check room temperature sensor.



#### PREPARATION:

Remove room temperature sensor (See page AC-66).

#### CHECK:

Measure resistance between terminals 1 and 2 of room temperature sensor connector at each temperature.

#### OK:

##### Resistance

at 25°C (77°F) 1.65 – 1.75 KΩ

at 50°C (122°F) 0.55 – 0.65 KΩ

#### HINT:

As the temperature increases, the resistance decreases.

NG

Replace room temperature sensor.

OK

### 4 Check harness and connector between A/C control assembly and room temperature sensor (See page IN-32).

NG

Repair or replace harness or connector.

OK

Check and replace A/C control assembly.