

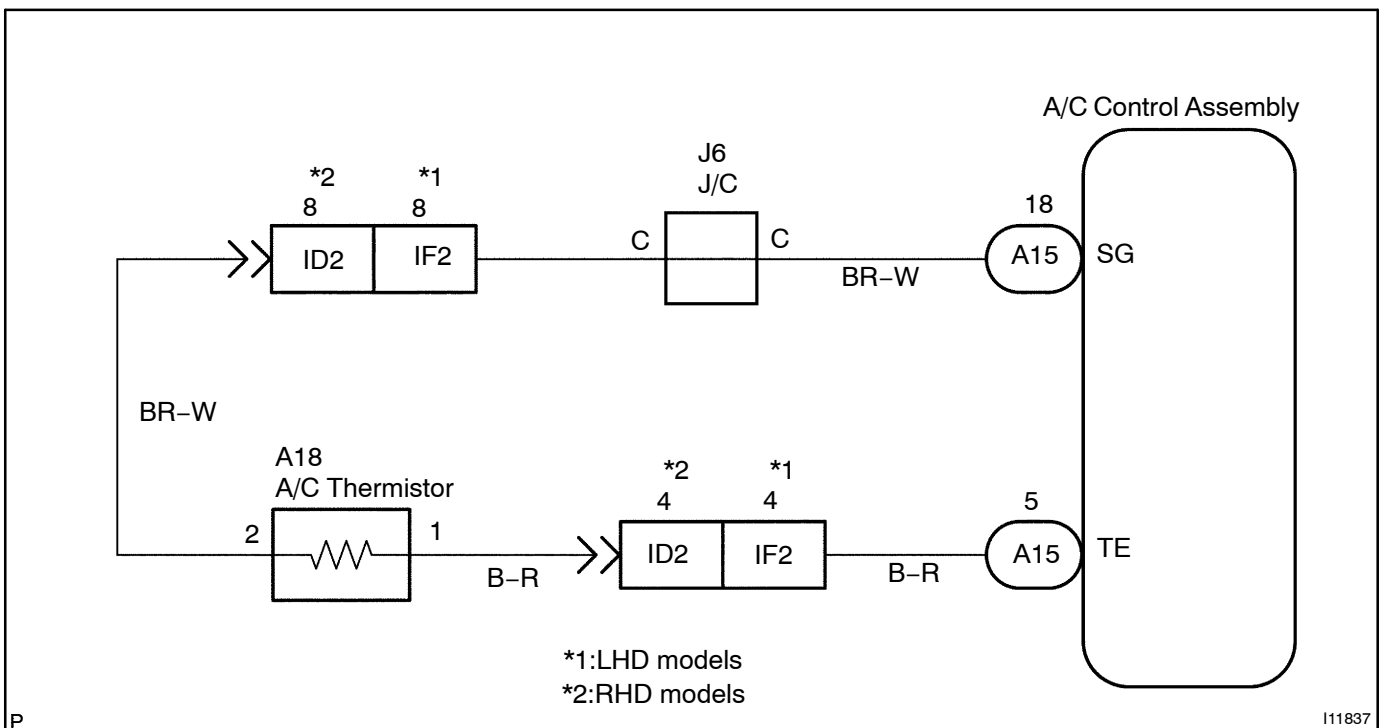
DTC	B1413	Evaporator Temperature Sensor circuit
------------	--------------	--

CIRCUIT DESCRIPTION

This sensor detects the temperature inside the A/C unit and sends the appropriate signals to the A/C control assembly.

DTC No.	Detection Item	Trouble Area
B1413	Open or short in evaporator temperature sensor circuit.	<ul style="list-style-type: none"> • Evaporator temperature sensor. • Harness or connector between evaporator temperature sensor and A/C control assembly. • A/C control assembly.

WIRING DIAGRAM



P

I11837

INSPECTION PROCEDURE

HINT:

In case of using the hand-held tester start the inspection step 1 and in case of not using the hand-held tester, start from step 2.

1 Check evaporator temp. sensor using hand-held tester.

PREPARATION:

Connect the hand-held tester to the DLC3.

CHECK:

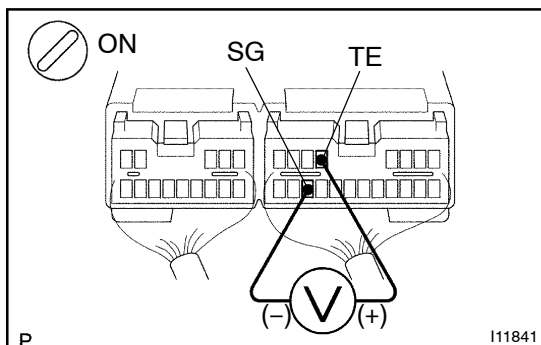
Check the evaporator temp. sensor using DATA LIST.

OK

Check and replace A/C control assembly.

NG

2 Check voltage between terminals TE and SG of A/C control assembly connector.



PREPARATION:

Remove the A/C control assembly with connectors still connected.

CHECK:

- Turn ignition switch to ON.
- Measure voltage between terminals TE and SG of A/C control assembly connector at each temperature.

OK:

Voltage

at 0°C (32°F) 2.0 - 2.4V

at 15°C (59°F) 1.4 - 1.8V

HINT:

As the temperature increases, the voltage decreases.

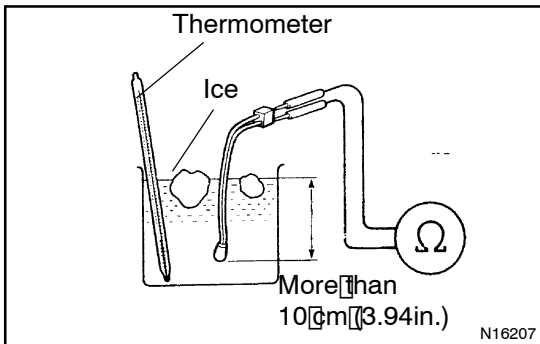
NG

Go to step 3.

OK

Proceed to next circuit inspection shown on problem symptoms table (See page DI-674). However, if DTC B1413 is displayed, check and replace A/C control assembly.

3 Check evaporator temperature sensor.



PREPARATION:

Remove evaporator temperature sensor (See page AC-68).

CHECK:

Measure resistance between terminals 1 and 2 of evaporator temperature sensor connector at each temperature.

OK:

Resistance

at 0°C (32°F) 4.5 - 5.2 kΩ

at 15°C (59°F) 2.0 - 2.7 kΩ

HINT:

As the temperature increases, the resistance decreases.

NG

Replace evaporator temperature sensor.

OK

4 Check harness and connector between A/C control assembly and evaporator temperature sensor (See page IN-32).

NG

Repair or replace harness or connector.

OK

Check and replace A/C control assembly.