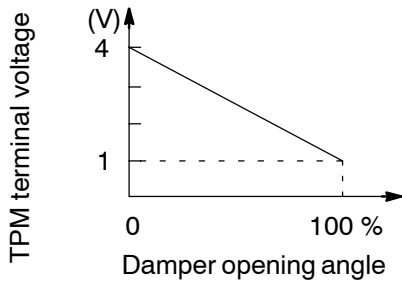


DTC	B1433	Air Outlet Damper Position Sensor Circuit
------------	--------------	--

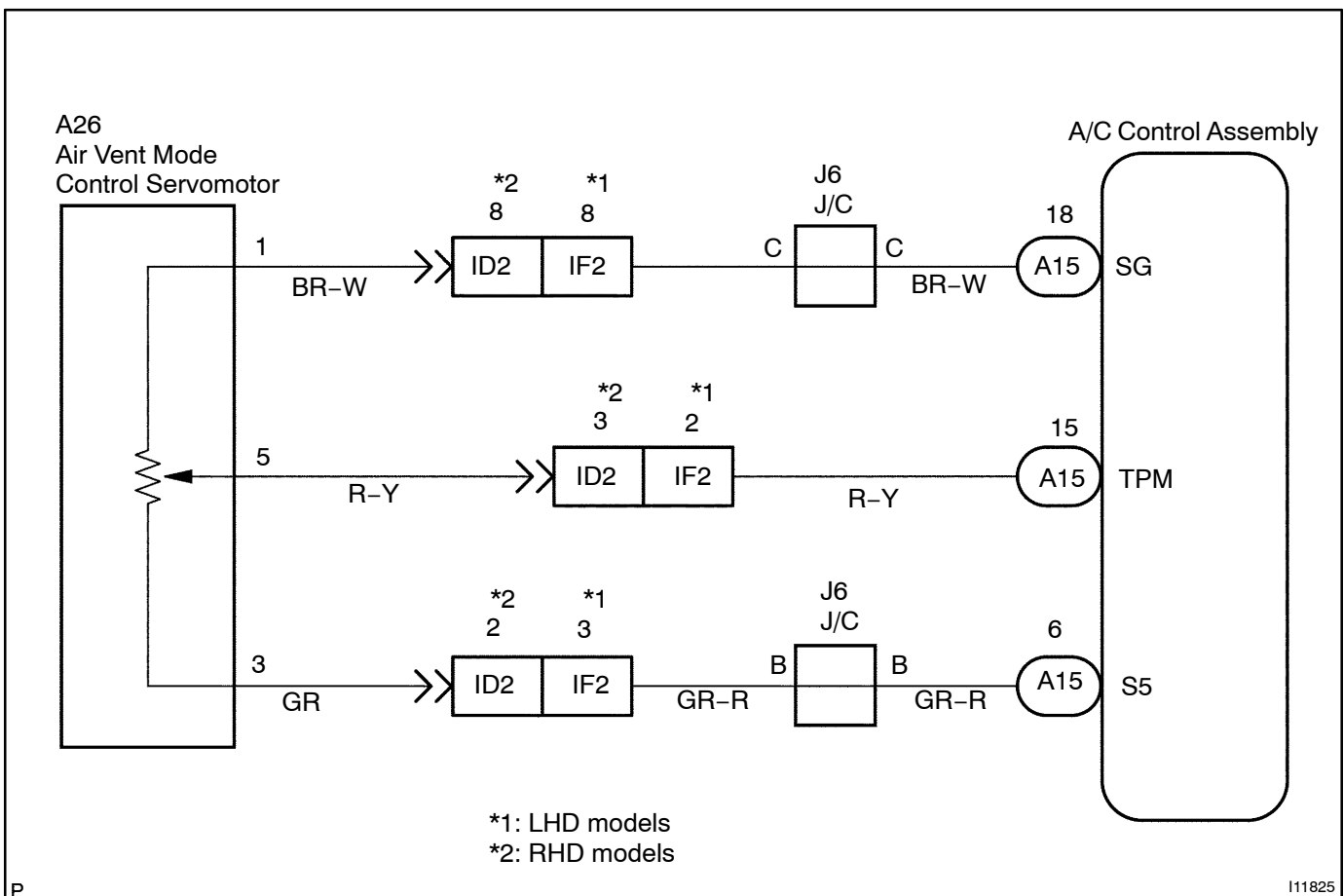
CIRCUIT DESCRIPTION



This sensor detects the position of the air mix damper and sends the appropriate signals to the A/C control assembly. The position sensor is built into the air outlet damper control servomotor assembly.

DTC No.	Detection Item	Trouble Area
B1433	Short to ground or power source circuit in air outlet damper position sensor circuit.	<ul style="list-style-type: none"> • Air outlet damper position sensor. • Harness or connector between air outlet damper control servomotor assembly and A/C control assembly. • A/C control assembly.

WIRING DIAGRAM



INSPECTION PROCEDURE

HINT:

In case of using the hand-held tester, start the inspection from step 1 and in case of not using the hand-held tester, start from step 2.

1 Check air outlet damper position using hand-held tester.

PREPARATION:

Connect the hand-held tester to the DLC3.

CHECK:

Check the current position of air outlet damper and the target position of air outlet damper.

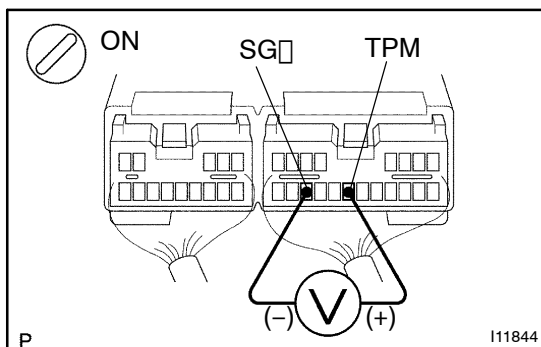
OK:

The current position and target position are almost similar.

OK Check and replace A/C control assembly.

NG

2 Check voltage between terminals TPM and SG of A/C control assembly connector.



PREPARATION:

- Remove A/C control assembly with connectors still connected.
- Turn ignition switch to ON.

CHECK:

Measure the voltage between terminals TPM and SG of A/C control assembly.

OK:

Mode selector	Voltage
FACE	3.5 - 4.5V
DEF	0.5 - 1.5V

HINT:

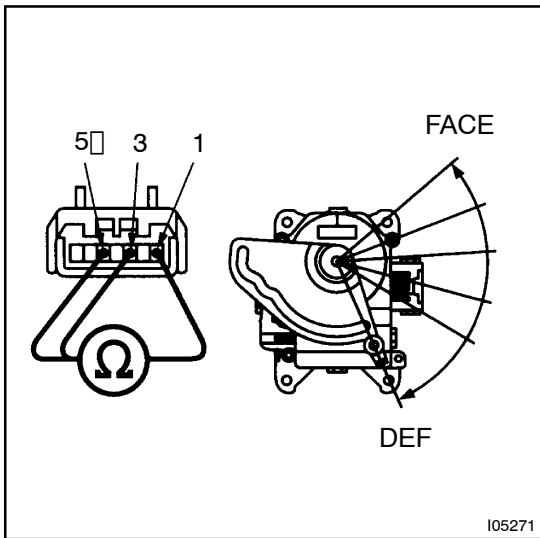
As the air outlet damper control servomotor is moved from FACE side to DEF side, the voltage decreases gradually without interruption.

NG Go to step 3.

OK

Proceed to next circuit inspection shown on problem symptoms table (See page DI-674). However, if DTC B1434 is displayed, check and replace A/C control assembly.

3 Check air outlet damper position sensor.



PREPARATION:

Remove the air outlet servomotor.

CHECK:

Measure resistance between terminals 1 and 3 of air outlet servomotor assembly connector.

OK:

Resistance: 4.2 - 7.8 kΩ

CHECK:

While operating air outlet damper control servomotor as in the procedure on [page DI-703](#), measure resistance between terminals 3 and 5 of air outlet damper control servomotor.

OK:

Resistance:

Damper Position	Resistance
DEF	0.5 - 1.1 kΩ
FACE	3.6 - 6.8 kΩ

HINT:

As the air outlet servomotor moves from DEF side to FACE side, the resistance decreases gradually without interruption.

NG

Replace air outlet damper control servomotor assembly.

OK

4 Check harness and connector between A/C control assembly and air outlet damper control servomotor assembly (See [page IN-32](#)).

NG

Repair or replace harness or connector.

OK

Check and replace A/C control assembly.