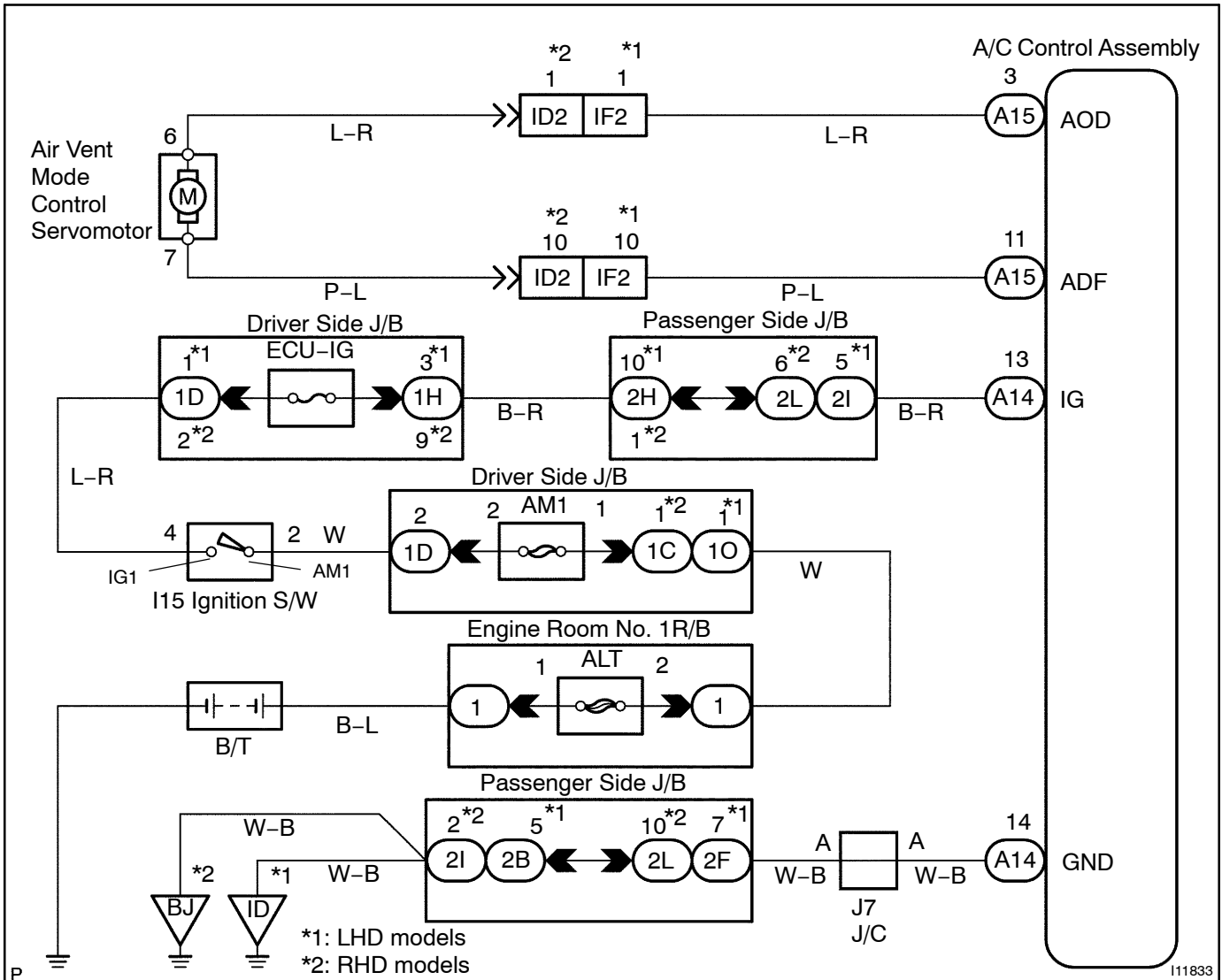


# Air Outlet Damper Control Servomotor Circuit

## CIRCUIT DESCRIPTION

This circuit turns the servomotor and changes each mode damper position by the signals from the A/C control assembly. When the AUTO switch is on, the A/C control assembly changes the mode automatically between (FACE), (BI-LEVEL) and (FOOT) according to the temperature setting.

## WIRING DIAGRAM



I11833

## INSPECTION PROCEDURE

## 1 Actuator check.

Pattern NO.	Air Flow
0-4	FACE
5	BI-LEVEL
6,7	FOOT
8	FOOT/DEF
9	DEF

**PREPARATION:**

Connect the hand-held tester to the DLC3.

**CHECK:**

- Enter into ACTIVE TEST function of hand-held tester.
- Check mode damper operates as hand-held tester directs.

**OK:**

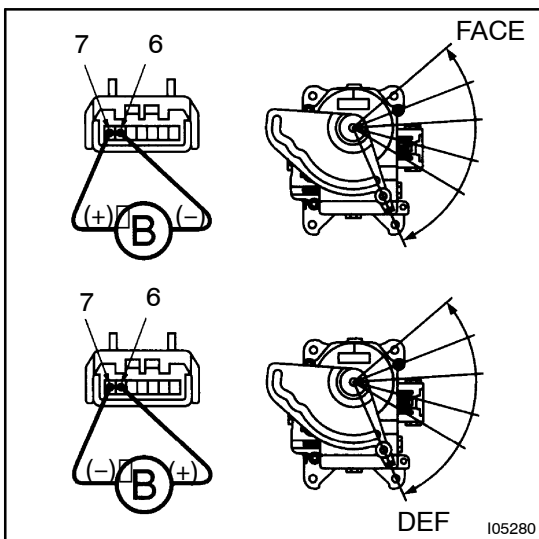
The mode changes with the change in the hand-held tester as shown in the table.

OK

Proceed to next circuit inspection shown on problem symptoms table (See page DI-674).

NG

## 2 Check air outlet damper control servomotor.

**PREPARATION:**

Remove the air outlet damper control servomotor.

**CHECK:**

Connect positive (+) lead to terminal 7 and negative (-) lead to terminal 6.

**OK:**

The lever moves smoothly to FACE position.

**CHECK:**

Connect positive (+) lead to terminal 6 and negative (-) lead to terminal 7.

**OK:**

The lever moves smoothly to DEF position.

NG

Replace air outlet servomotor.

OK

3 Check for open and short in harness and connector between A/C control assembly and outlet servomotor, outlet damper control servomotor and battery, outlet damper control servomotor and body ground (See page IN-32).

NG

Repair or replace harness or connector.

OK

Check and replace A/C control assembly.