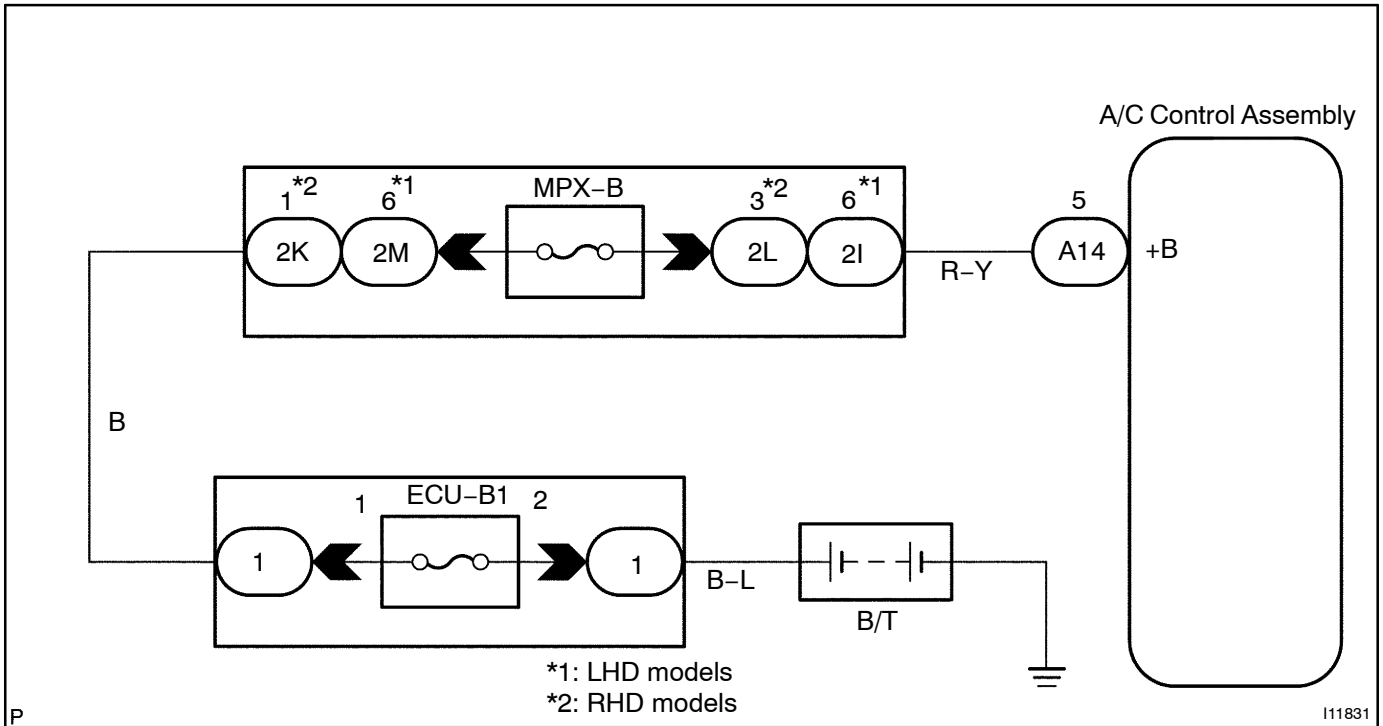


Back Up Power Source Circuit

CIRCUIT DESCRIPTION

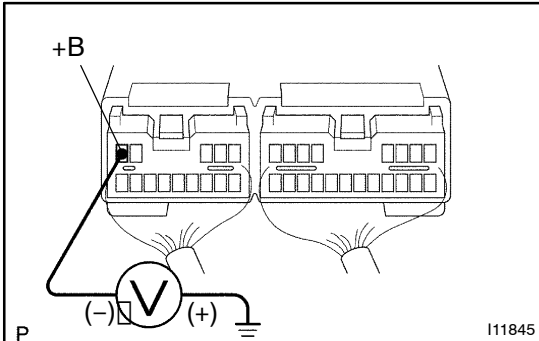
This is the back up power source for the A/C control assembly. Power is supplied even when the ignition switch is off and is used for diagnostic trouble code memory, etc.

WIRING DIAGRAM



INSPECTION PROCEDURE

- 1 Check voltage between terminal +B of A/C control assembly connector and body ground.

**PREPARATION:**

Remove the A/C control assembly with connector still connected.

CHECK:

Measure voltage between terminal +B of A/C control assembly connector and body ground.

OK:

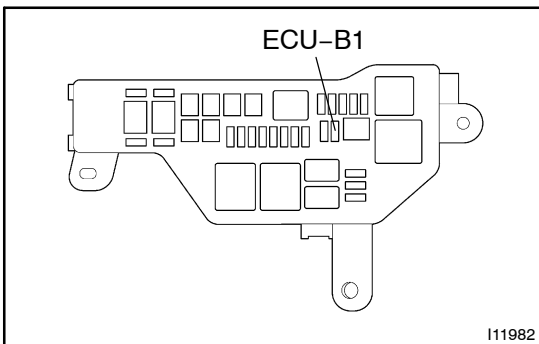
Voltage: Battery voltage

OK

Proceed to next circuit inspection shown on problem symptoms table (See page DI-674).

NG

- 2 Check ECU-B1 fuse.

**PREPARATION:**

Remove ECU-B1 fuse from engine room J/B.

CHECK:

Check continuity of ECU-B1 fuse.

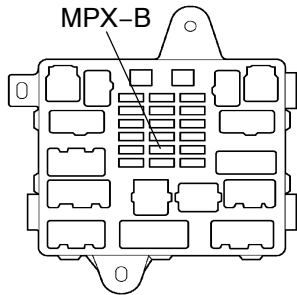
OK:

Continuity

NG

Check for short in all the harness and components connected to the ECU-B1 fuse (See attached wiring diagram).

OK

3 Check MPX-B fuse.**PREPARATION:**

Remove MPX-B fuse from passenger side J/B.

CHECK:

Check continuity of MPX-B fuse.

OK:

Continuity

NG

Check for short in all the harness and components connected to the MPX-B fuse (See attached wiring diagram).

OK

Check and repair harness and connector between A/C control assembly and battery.