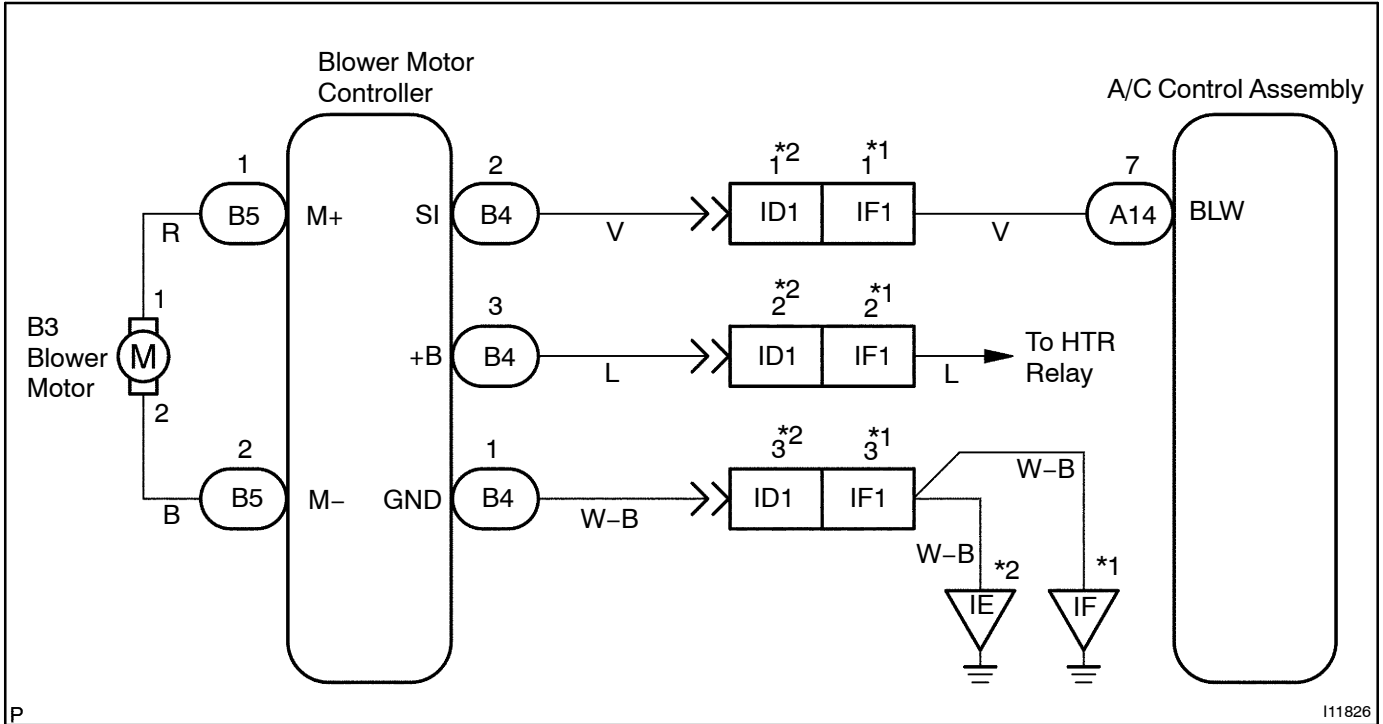


Blower Motor Circuit

CIRCUIT DESCRIPTION

This is the power source for the blower motor.

WIRING DIAGRAM

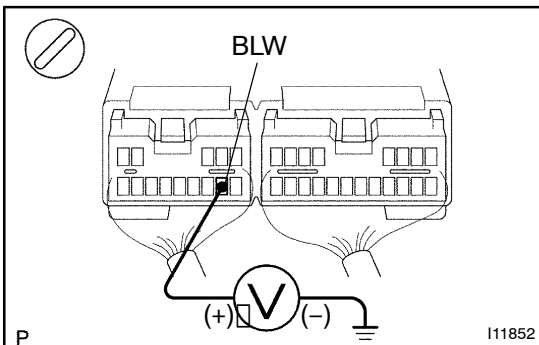


P

I11826

INSPECTION PROCEDURE

- 1 Check voltage between terminal BLW of A/C control assembly connector and body ground.

**PREPARATION:**

Remove the A/C control assembly with connector still connected.

CHECK:

- Turn ignition switch to ON.
- Operate blower motor.
- Measure voltage between terminal BLW of A/C control assembly and body ground.

OK:

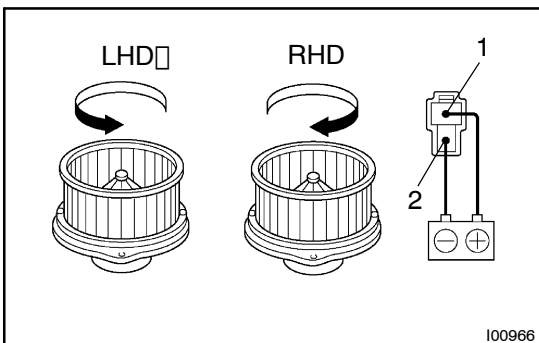
Voltage 1 - 3 V

OK

Proceed to next circuit inspection shown on problem symptoms table (See page DI-674).

NG

- 2 Check blower motor.

**PREPARATION:**

Remove blower motor.

CHECK:

Connect the positive (+) lead from the battery to terminal 1 of blower motor connector and the negative (-) lead to terminal 2.

OK:

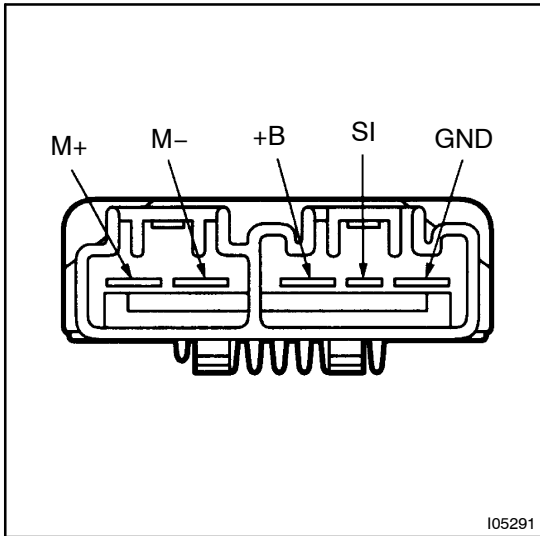
Blower motor operates smoothly.

NG

Replace blower motor.

OK

3 Check blower motor control relay.



PREPARATION:

Remove blower motor control relay with connectors still connected.

CHECK:

- (a) Turn ignition switch ON.
- (b) Operate blower motor (High blower speed).

OK:

Terminals	Standard Value
GND ↔ Body Ground	Continuity
+B ↔ Body Ground	Battery voltage
+M ↔ Body Ground	Battery voltage
M+ ↔ M-	Battery voltage
SI ↔ Body Ground	1 - 3 V

NG

Replace blower motor relay.

OK

Repair or replace harness or connector.