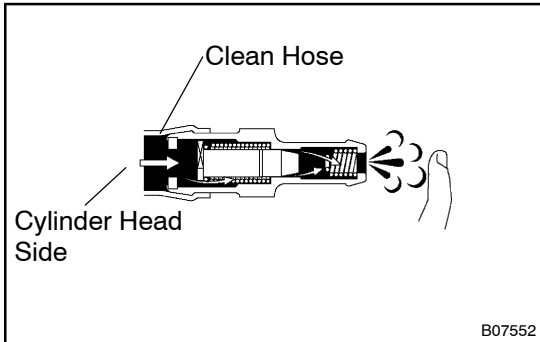


POSITIVE CRANKCASE VENTILATION (PCV) SYSTEM INSPECTION

1. REMOVE PCV VALVE

- (a) Disconnect the PCV hose from the PCV valve.
- (b) Remove the PCV valve.



2. INSTALL CLEAN HOSE TO PCV VALVE

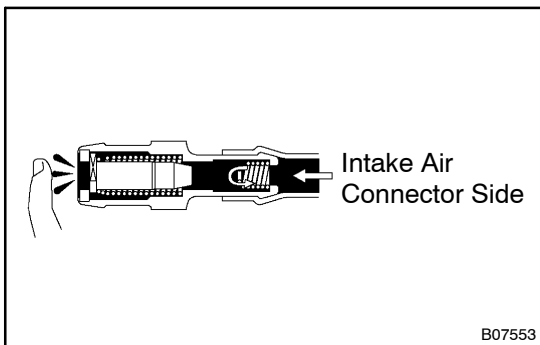
3. INSPECT PCV VALVE OPERATION

- (a) Blow air into the cylinder head side, and check that air passes through easily.

CAUTION:

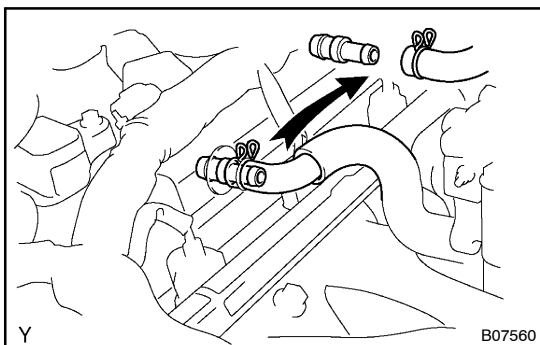
Do not suck air through the valve.

Petroleum substances inside the valve are harmful.



- (b) Blow air into the intake air connector side, and check that air passes through with difficulty.

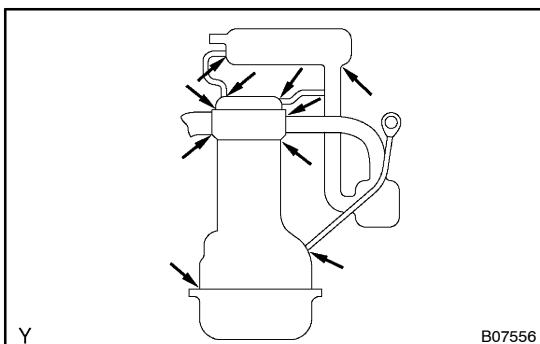
If operation is not as specified, replace the PCV valve.



4. REMOVE CLEAN HOSE FROM PCV VALVE

5. REINSTALL PCV VALVE

The port faces in the direction indicated in the illustration.



6. VISUALLY INSPECT HOSES, CONNECTIONS AND GASKETS

Check for cracks, leaks or damage.