

## INSPECTION

### 1. INSPECT TIMING BELT

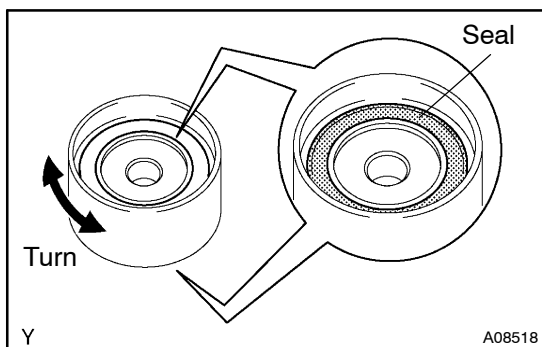
#### NOTICE:

- Do not bend, twist or turn the timing belt inside out.
- Do not allow the timing belt to come into contact with oil, water or steam.
- Do not utilize timing belt tension when installing or removing the mounting bolt of the camshaft timing pulley.

If there are any defects as shown in the illustration, check these points:

- Premature parting
  - Check for proper installation.
  - Check the timing cover gasket for damage and proper installation.
- If the belt teeth are cracked or damaged, check to see if either camshaft or oil pump is locked.
- If there is noticeable wear or cracks on the belt face, check to see if there are nicks on the side of the idler pulley lock.
- If there is wear or damage on only one side of the belt, check the belt guide and the alignment of each pulley.
- If there is noticeable wear on the belt teeth, check the timing cover for damage and check gasket has been installed correctly and for foreign material on the pulley teeth.

If necessary, replace the timing belt.



### 2. INSPECT IDLER PULLEYS

- Visually check the seal portion of the idler pulley for oil leakage.

If leakage is found, replace the idler pulley.

- Check that the idler pulley turns smoothly.

If necessary, replace the idler pulley.