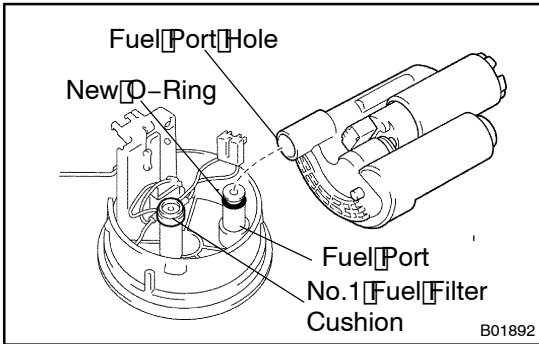


INSTALLATION

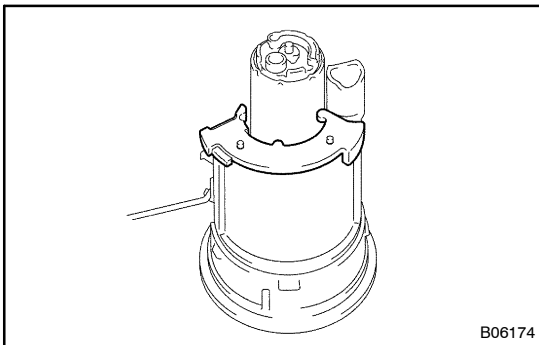
1. INSTALL FUEL PUMP TO FUEL FILTER

Push in the fuel pump.



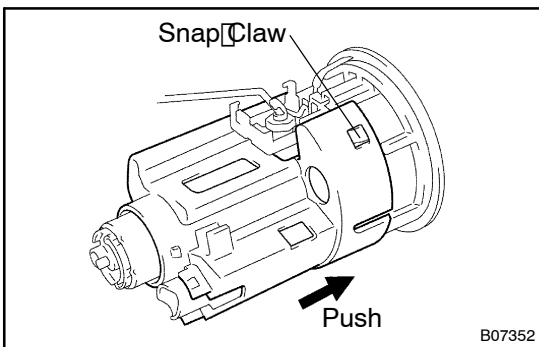
2. INSTALL FUEL FILTER AND FUEL PUMP ASSEMBLY

- Install the No.1 fuel filter cushion to the fuel suction plate.
- Apply a light coat of gasoline to a new O-ring and install it to the fuel port of the fuel suction plate.
- Align the fuel port of the fuel suction plate with the fuel port hole of the fuel filter.
- Push in the fuel filter.
- Connect the fuel pump connector.

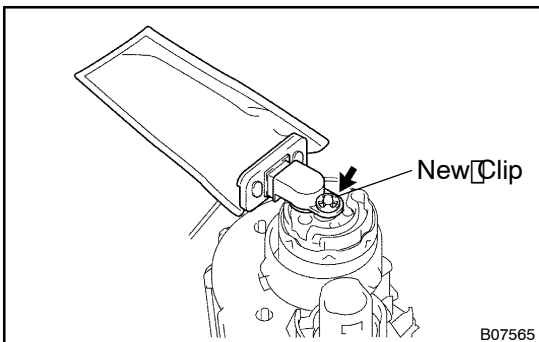


3. INSTALL NO.1 FUEL SUCTION SUPPORT

- Install the No.2 fuel filter cushion to the fuel filter.



- Push the fuel suction support in and attach the 4 snap claws to the claw holes.

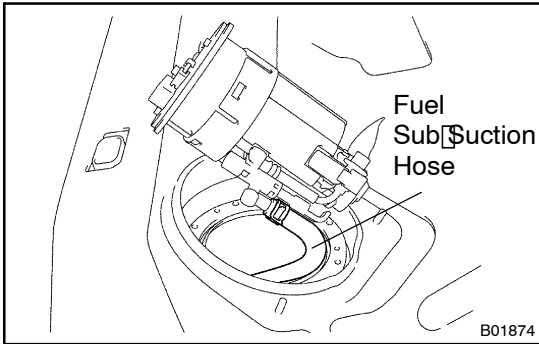


4. INSTALL FUEL SUCTION FILTER

Install the suction filter with a new clip.

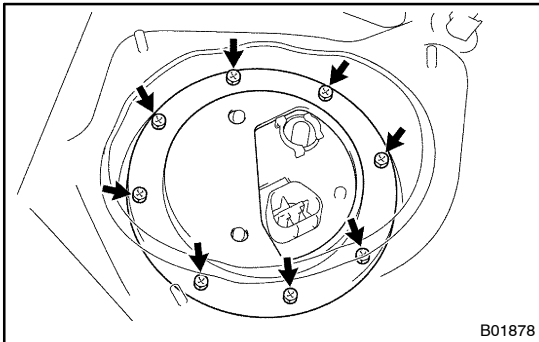
5. INSTALL FUEL PRESSURE REGULATOR AND FUEL RETURN JET TUBE ASSEMBLY (See page FI-18)

6. INSTALL NO.2 FUEL SUCTION SUPPORT (See page FI-18)

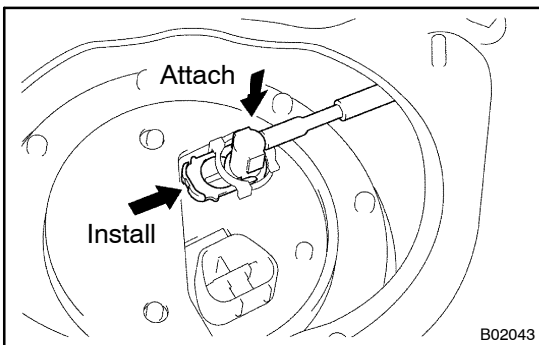


7. INSTALL FUEL PUMP AND SENDER GAUGE ASSEMBLY TO FUEL TANK

- (a) Install a new gasket to the fuel suction plate.
- (b) Connect the fuel sub suction hose to the fuel return jet tube.
- (c) Attach the fuel pump and sender gauge assembly to the fuel tank.



- (d) Install the fuel tank vent tube set plate with the 8 bolts.
Torque: 4.0 N·m (40 kgf·cm, 35 in·lbf)



8. CONNECT FUEL TANK MAIN TUBE (FUEL TUBE CONNECTOR) TO FUEL SUCTION PLATE

- (a) Attach the fuel tube connector to the port of the fuel suction plate.
- (b) Install the tube joint clip.

9. CONNECT FUEL PUMP & SENDER GAUGE CONNECTOR

10. CHECK FOR FUEL LEAKS (See page FI-1)

11. INSTALL FLOOR SERVICE HOLE COVER

Install the service hole cover with the 3 cap nuts.

12. INSTALL REAR SEAT CUSHION