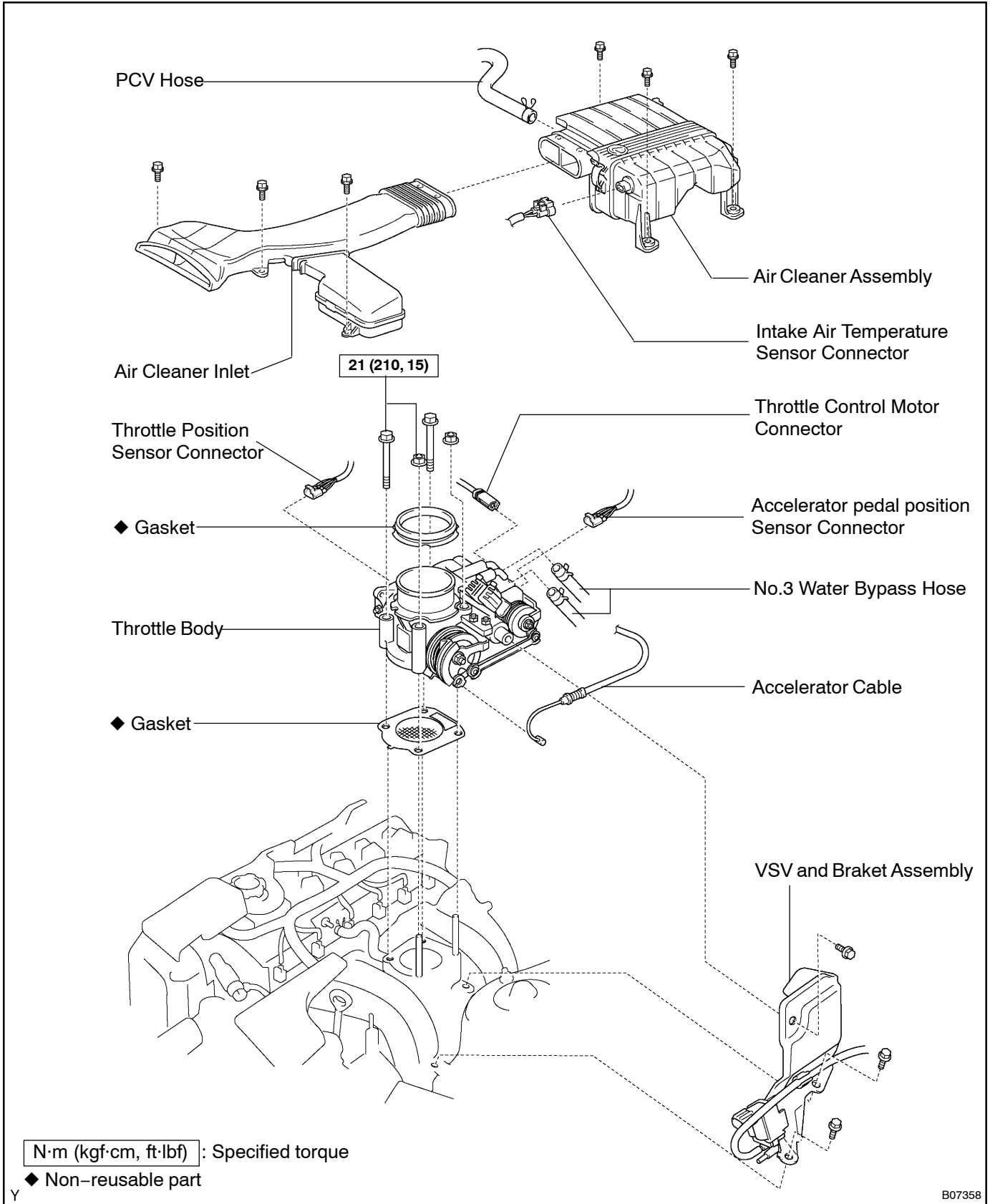
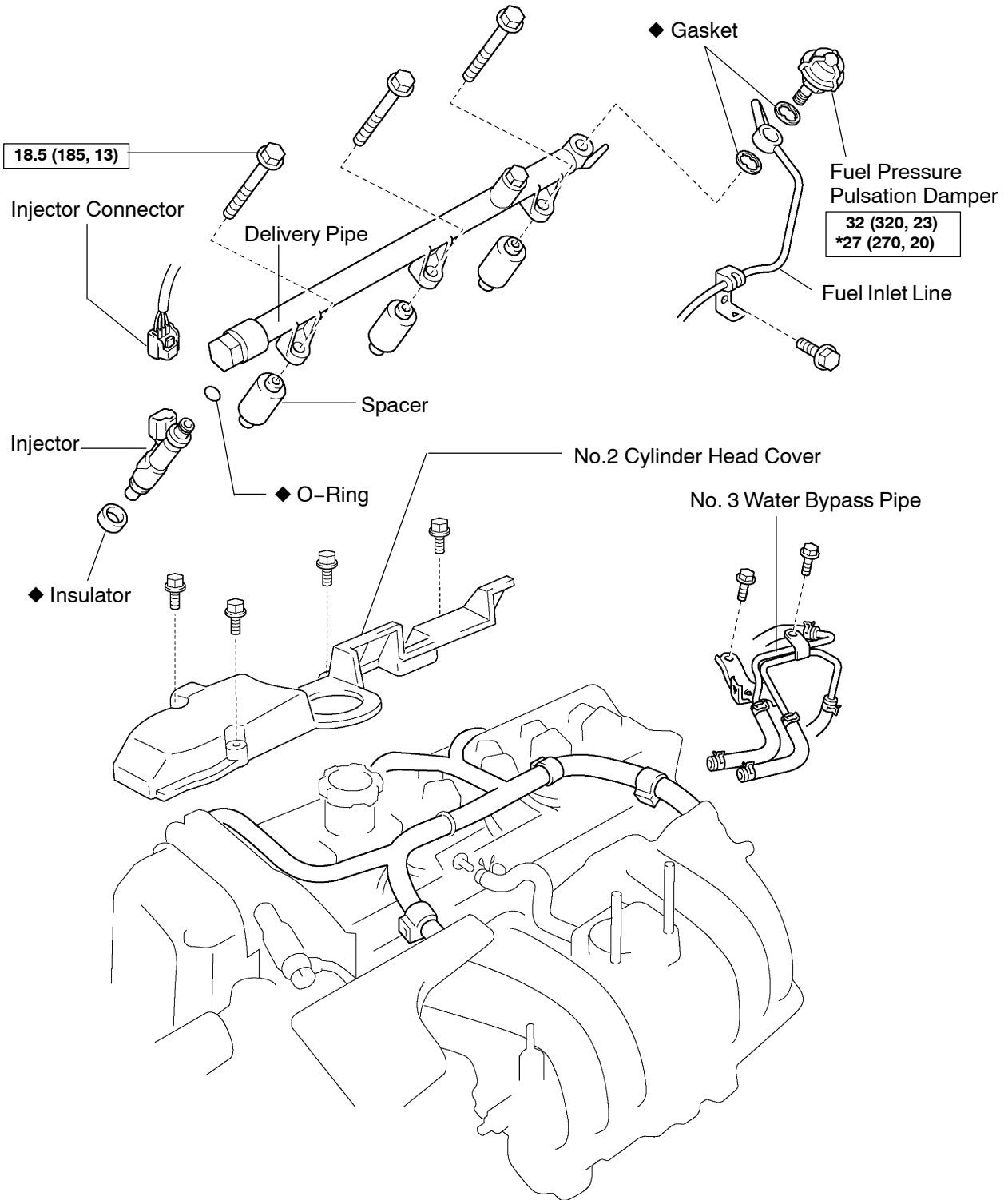


COMPONENTS





Y [N·m (kgf·cm, ft·lbf)] : Specified torque

◆ Non-reusable part

* For use with SST