

# ACOUSTIC CONTROL INDUCTION SYSTEM (ACIS) ON-VEHICLE INSPECTION

FI0LU-01

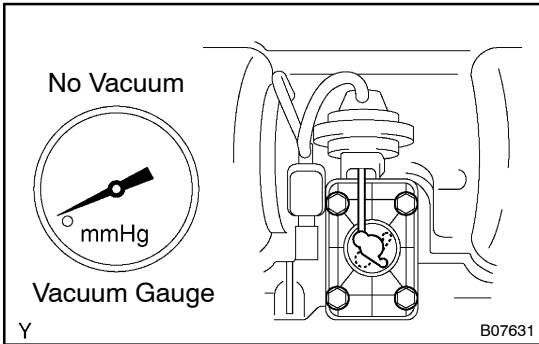
**1. CONNECT VACUUM GAUGE**

Using a 3-way connector, connect vacuum gauge to the hose between the actuator and VSV.

**2. START ENGINE**

**3. INSPECT INTAKE AIR CONTROL VALVE**

(a) While the engine is idling, check that the vacuum gauge needle does not move.



(b) Rapidly depress the accelerator pedal to fully open position and check that the vacuum gauge needle momentarily fluctuates approx. 33.3 kPa (250 mmHg, 9.84 in.Hg) or more. (The actuator rod is pulled down.)

**4. REMOVE VACUUM GAUGE**

Remove the vacuum gauge, and reconnect the vacuum hoses to their proper locations.

